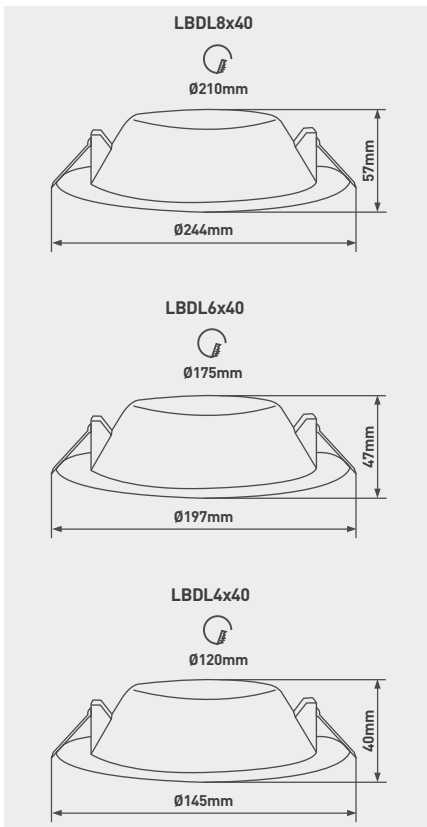


# CARBON DOWNLIGHT

- Ideal replacement and designed to retrofit/match ceiling cut outs of compact fluorescent downlights



**4000K**  
NEUTRAL  
WHITE

**50,000**  
HOURS

BEAM  
ANGLE  
**110°**

**WHITE**  
FINISH

**IP44**  
RATED

CAT NO.	DRIVER	SIZE	LUMINAIRE LUMENS	WATTAGE	EFFICACY Llm/W	CURRENT
LBDL4S40	Standard	145mm	1000	11W	91	350mA
LBDL4D40	Digital Dim	145mm	1000	11W	91	350mA
LBDL6S40	Standard	197mm	1500	15.5W	96	350mA
LBDL6D40	Digital Dim	197mm	1500	15.5W	96	350mA
LBDL8S40	Standard	244mm	2000	22W	91	500mA
LBDL8D40	Digital Dim	244mm	2000	22W	91	500mA

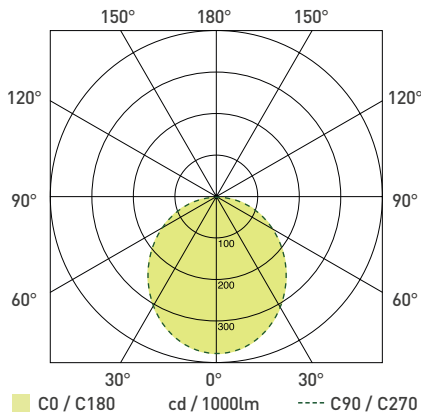
	LENGTH / DIA (mm)	WIDTH (mm)	HEIGHT / DEPTH (mm)	WEIGHT (kg)	L FIXING CENTRES (mm)	W FIXING CENTRES (mm)	CEILING CUTOUT (mm)	LUMINAIRE LUMENS (Llm)	LUMINAIRE WATTAGE (W)	EFFICACY (Llm/W)	CCT (K)	CRI	UGR	IP RATED	IK RATED	GLOW WIRE (°C)	RAL COLOUR	TEMP RANGE (°C)	RATED LIFE (HR)	AMBIENT TEMP. RATED LIFE (°C)	L AT RATED LIFE	B AT RATED LIFE	VOLTAGE RANGE	FREQUENCY	EMERGENCY PACK CODE	WARRANTY (YEARS)
LBDL4D40	145	N/A	40	0.225	N/A	N/A	120	1000	11	91	4000	>80	N/A	IP44	N/A	N/A	9016	-20+ 25	50,000	25	70	50	220- 240V	50hz	LED3E P80	3
LBDL4D40	145	N/A	40	0.225	N/A	N/A	120	1000	11	91	4000	>80	N/A	IP44	N/A	N/A	9016	-20+ 25	50,000	25	70	50	220- 240V	50hz	LED3E P80	3
LBDL6S40	197	N/A	47	0.28	N/A	N/A	175	1500	15.5	96	4000	>80	N/A	IP44	N/A	N/A	9016	-20+ 25	50,000	25	70	50	220- 240V	50hz	LED3E P80	3
LBDL6D40	197	N/A	47	0.28	N/A	N/A	175	1500	15.5	96	4000	>80	N/A	IP44	N/A	N/A	9016	-20+ 25	50,000	25	70	50	220- 240V	50hz	LED3E P80	3
LBDL8S40	244	N/A	57	0.4	N/A	N/A	210	2000	22	91	4000	>80	N/A	IP44	N/A	N/A	9016	-20+ 25	50,000	25	70	50	220- 240V	50hz	LED3E P80	3
LBDL8S40	244	N/A	57	0.4	N/A	N/A	210	2000	22	91	4000	>80	N/A	IP44	N/A	N/A	9016	-20+ 25	50,000	25	70	50	220- 240V	50hz	LED3E P80	3

## LBDL4S40

### LUMINAIRE PERFORMANCE

Light Output Ratio: 100%  
 Luminaire Efficacy: 91 lm/W  
 Light Distribution: A40 ↓99.0% ↑1.0%  
 CIE Flux Codes: 53 83 98 99 100  
 UGR 4H 8H (20%, 50%, 70%)C0 / C90: 27.5 / 27.5

### LUMINOUS INTENSITY

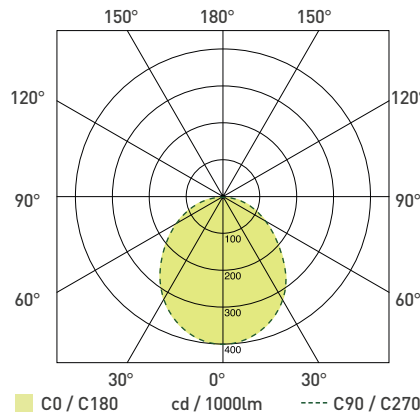


## LBDL6S40

### LUMINAIRE PERFORMANCE

Light Output Ratio: 100%  
 Luminaire Efficacy: 96 lm/W  
 Light Distribution: A40 ↓99.0% ↑1.0%  
 CIE Flux Codes: 52 83 97 99 100  
 UGR 4H 8H (20%, 50%, 70%)C0 / C90: 26.7 / 26.6

### LUMINOUS INTENSITY

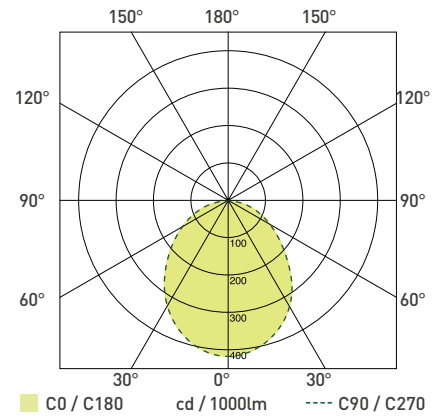


## LBDL8S40

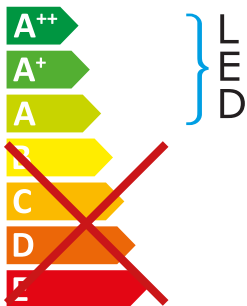
### LUMINAIRE PERFORMANCE

Light Output Ratio: 100%  
 Luminaire Efficacy: 91 lm/W  
 Light Distribution: A40 ↓99.0% ↑1.0%  
 CIE Flux Codes: 50 81 97 99 100  
 UGR 4H 8H (20%, 50%, 70%)C0 / C90: 26.9 / 27.1

### LUMINOUS INTENSITY



## LUCECO



The lamps cannot be changed in the luminaire.

874/2012



## STANDARDS

EN 60598-1	Luminaires - General requirements
EN 60598-2-2	Luminaires - Recessed
EN 60598-2-22	Luminaires - Emergency
EN 61347-1	Lamp controlgear - Part 1: General and safety requirements
EN 61347-2-13	Lamp controlgear - Part 2-13 : Particular requirements for d.c. or a.c. supplied electronic controlgear for LED modules
EN 55015	Limits and methods of measurement of radio disturbance characteristics of electrical lighting and similar equipment
EN 61547	Equipment for general lighting purposes - EMC immunity requirements
EN 61000-3-2	Electromagnetic compatibility (EMC) - Part 3-2: Limits - for harmonic current emissions
EN 62471	Photobiological safety of lamps and lamp systems
2002/96/EC	Waste Electrical & Electronic Equipment (WEEE)
2011/65/EU	Restriction of the use of certain Hazardous Substances in EEE (RoHS)
(EC) No 1907/2006	The Registration, Evaluation, Authorisation and Restriction of Chemicals (REACH)

