

Compatible with the following brands:

- Auraglow
- Megaman
- Osram
- Luceco
- Enlite
- Sylvania

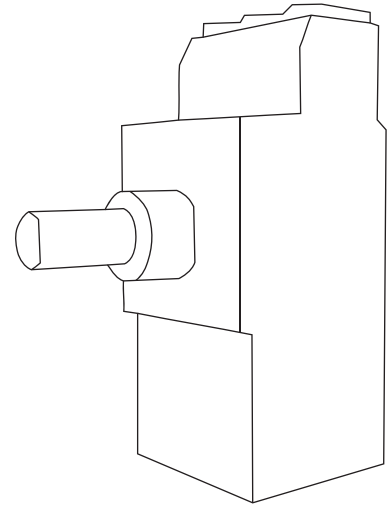


Electrical & Lighting Products




## LED Dimmer Instructions

### Module Code: SL-100D

- This push on/push off dimmer switch is suitable for use with up to 100W dimmable LED lamps and 150W incandescent and halogen lamps.
- Suitable for use with both leading and trailing edge LED lamps. The default setting is for trailing edge lamps but the dimmer is easily adjusted to suit leading edge lamps.
- It is possible to adjust the minimum brightness level on the dimmer to achieve the required dimming range for the room.
- The latest technology ensures there is no flickering at the maximum level.
- You may need to refer to these instructions if you change your lights to a different type at a later date so please keep them for reference.



### Specification:

Operating Voltage	220-240V~
Frequency	50Hz
Maximum Load LED	100W
Max load halogen, incandescent	150W
Dimmable range:	
 Dimmable LED lamps	5-100W
 LV Halogen lighting with electronic transformers	5-150W
 Incandescent lighting MV Halogen lamps	5-150W



Device is in compliance with EN 60669-2-1.



Should not be disposed with other household waste.



This product is not a toy. Keep away from children and animals.



Do not expose this product to moisture, water or other liquids.



Do not attempt to examine or repair this product yourself.



This product is designed for indoor use only. Do not use outside!

### Warning:

Certain light sources may not behave according to their power rating when used with a dimmer. An overload will result in the safety features switching the dimmer off. We always recommend to connect under the suggest load.

### Installation:

**READ THESE INSTRUCTIONS CAREFULLY. INCORRECT INSTALLATION MAY DAMAGE THE DIMMER BEYOND REPAIR.**

1. Switch off the mains supply before commencing the installation.
2. If removing the existing switch, disconnect the wiring from the switch terminals at the rear and take note of the present wiring of the switch and the marking on the terminals.
3. Ensure that any mounting box is free of plaster lumps or projecting screw heads. Most models can be fitted into a box with a minimum depth of 25mm.
4. Terminate the dimmer switch in accordance with the diagrams in the Wiring Instructions section. Take care that no bare wires project out of the terminals. Keep wires together in a terminal if they were together in your old switch.
5. After connecting the wires screw the dimmer switch gently into the wall box so that the front plate does not distort or crack. Do not trap the wiring between the rear of the dimmer and the back of the wall box.
6. Once installation is complete, switch on the mains supply. When switching on the dimmer for the first time you might need to set up the min. brightness and max. brightness, dimming mode.

## Operation:

### Change the dimming mode from Trailing edge to Leading edge

The dimmer default setting is trailing edge dimming. To change into leading edge dimming please refer below.

If this causes flickering or poor dimming with your dimmable LEDs it may be because the setting needs to be changed from trailing edge to leading edge to suit the make of lamp being used.

1. Turn on the load and set the lights into maximum brightness.
2. Switch on and off the load 5 times the load will flash twice to show dimmer is in leading edge mode.

**Note 1:** To switch back into trailing edge mode just repeat the operation again the load will flash once to show the dimmer is back in trailing edge dimming mode again.

**Note 2:** Do not mix leading and trailing edge lamps in the same circuit.

### Setting the minimum brightness level:

If you consider it necessary to adjust the minimum brightness level it can be done by following the instructions below.

1. Switch on and set the dimmer knob to the MINIMUM position (turn fully anti-clockwise).
2. Push the knob 8 times.
3. The lights will step up and down in brightness twice to show that the dimmer is in CONFIGURATION MODE, then either stay at a low light level or go off.
4. Slowly adjust to the brightness that you are satisfied with. Leave the dimmer in this position.
5. Push the knob 4 times until the light steps up and down in brightness once, the settings should now be saved.

## Wiring Instructions:

This dimmer switch is suitable for 1-way or 2-way lighting circuits. There are three terminals per module.

### • 1 Way Circuits

In 1-way lighting circuits each lamp is controlled by one dimmer switch.

Follow the wiring in Figure 1.

COM live supply, L1 load 1, L2 load 2

### • 2 Way Circuits

When controlling the load from two positions, it is only possible to have one dimmer switch. The other needs to be a two-way switch. 2-way lighting circuits have two switches turning the same lamps on and off from two different locations (e.g. at the top and bottom of the stairs), Follow the wiring in Figure 2.

COM live supply, L1 load 1, L2 load 2

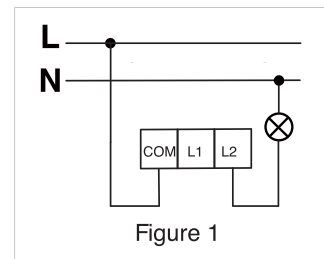


Figure 1

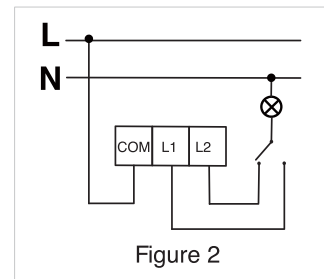
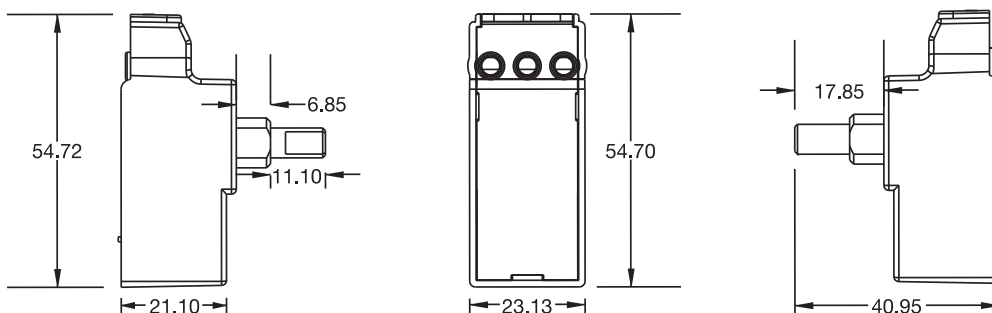


Figure 2

## Dimensions:



## Disposal Information:

Should you want to dispose of this item please do not put it with the household waste. Used electrical and electronic equipment and batteries must be made available for separate collection. Electrical products may contain toxic materials such as lead or cadmium. Separate collection allows materials to be recovered and recycled. Private households may return their used electrical and electronic equipment to designated collection facilities free of charge. Facilities are usually available at the municipal waste site, your electrical retailer, or your local authority may provide separate collection from the household. By disposing of this product correctly you will be providing positive help to the environment.

LGA Europe Ltd,  
T/A Selectric,  
Cow Lane, Oldfield Road,  
Salford, M5 4NB, UK  
[www.selectricuk.co.uk](http://www.selectricuk.co.uk)

## SAFETY FIRST

- BEFORE STARTING ANY ELECTRICAL WORK ALWAYS SWITCH OFF AT THE MAINS
- IF IN DOUBT CONSULT A QUALIFIED ELECTRICIAN

Get Switched On

