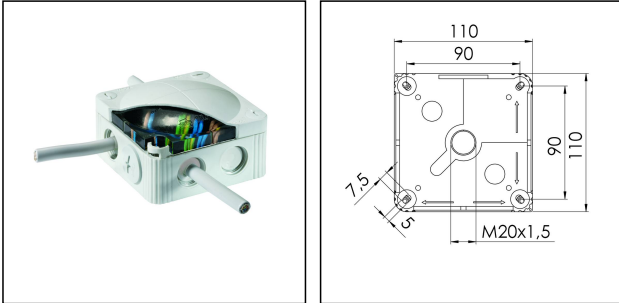


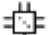
COMBI IP 68 SET 607/5

Junction boxes with fluid sealing technique



Product illustrations are exemplary and may differ from the chosen product. Further variants and individual customization, we will gladly provide you on request.



Material	Polypropylene
Material sealing gasket	TPE
Temp. range min	-30 °C
Temp. range max	100 °C
Temperatures during install.	-5 °C - 60 °C
Protection class	IP68 (15 m 170 h)
Glow wire test	750 °C
Voltage	690 V
Terminals/poles	6 mm ²
Fixing	4 internal openings
Ø cable diameter min	5,2 mm
Ø cable diameter max	17 mm
External dimensions LxWxH	110 x 110 x 66 mm
Using for cable gland	
Product Color	RAL 7035
Order no. RAL 7035	10066635
Type	COMBI IP 68 SET 607/5
Packing unit	1
ETIM-Classification	EC002600

Remarks:

Junction box with sealing compound
with terminal block 5-poles, 6mm²
Filling material: silicone gel
Filling material in practical mixing bag, Plastic sprue for easy removal, screw plug

26.10.2016

