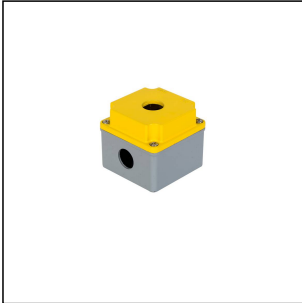


**402600**

Aluminium Diecast Enclosure Push Button 1 Hole IP 67



Products may differ in size, colour and appearance to those shown. If you require further information or customisation, please contact us directly.

<b>Protection class</b>	IP67
<b>Temp. range min</b>	-40 °C
<b>Temp. range max</b>	80 °C
<b>Material</b>	Cast aluminium
<b>Colour</b>	RAL 7040
<b>External dimensions LxWxH</b>	80x80x73mm
<b>Type</b>	402600

Additional Info:

Enclosures can be drilled and tapped to specific requirements

17.02.2023

Your Contact:

**WISKA UK Ltd.**

Unit 7, Hurling Way · St. Columb Major Business Park · TR9 6SX, St. Columb Major, Cornwall · Great Britain

☎ +44-12-08816062 · 📠 +44-12-08816708

info@wiska.co.uk · www.wiska.co.uk