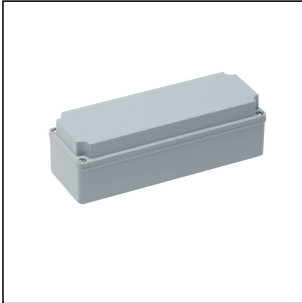


402509

Aluminium Diecast Enclosure IP 67



Products may differ in size, colour and appearance to those shown. If you require further information or customisation, please contact us directly.

Protection class	IP67
Temp. range min	-40 °C
Temp. range max	80 °C
Material	Cast aluminium
Colour	RAL 7040
External dimensions LxWxH	80x230x73mm
Type	402509

Additional Info:



Enclosures can be drilled and tapped to specific requirements

17.02.2023

Your Contact:

WISKA UK Ltd.

Unit 7, Hurling Way · St. Columb Major Business Park · TR9 6SX, St. Columb Major, Cornwall · Great Britain

 +44-12-08816062 ·  +44-12-08816708

info@wiska.co.uk · www.wiska.co.uk