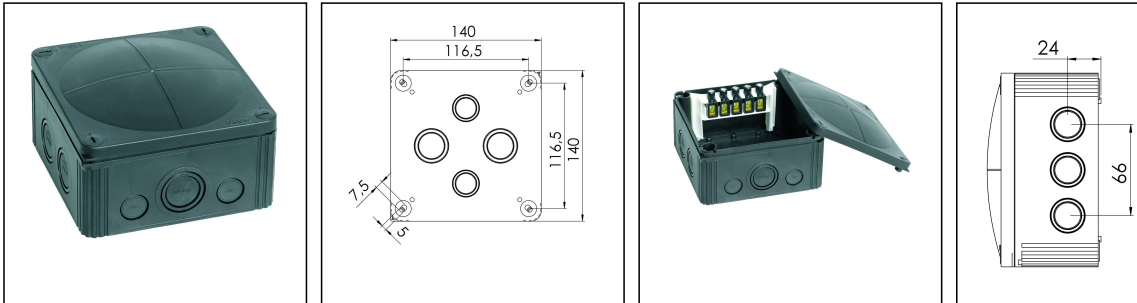



COMBI 1010/5/S

Junction box, polypropylene



Product illustrations are exemplary and may differ from the chosen product. Further variants and individual customization, we will gladly provide you on request.



Material	Polypropylene
Material sealing gasket	TPE
Temp. range min	-30 °C
Temp. range max	100 °C
Temperatures during install.	-5 °C - 60 °C
Protection class	IP66/67
Glow wire test	750 °C
Voltage	690 V
Terminals/poles	10 mm ²
Terminals/poles	5 x 10mm ²
Fixing	4 internal openings
Ø cable diameter min	6 mm
Ø cable diameter max	21 mm
External dimensions LxWxH	140 x 140 x 82mm
Using for cable gland	
Product Color	RAL 9005
WISKA-Order no.	10062215
Type	COMBI 1010/5/S
Packing unit	2
ETIM-Classification	EC002600

Remarks:

- IP66: using the QUIXX self sealing membrane screw
- IP67: using the knockout entry together with
ESKV cable gland
- Mounting: 4 internal openings outside of the sealing area

WISKA Hoppmann & Mulsow GmbH
Kisdorfer Weg 28 · 24568 Kaltenkirchen · Germany
☎ +49-4191-508-0 · 📠 +49-4191-508-209
contact@wiska.com · www.wiska.com

Equipment: 10 knockouts side 5x M25/M32; 2x M20; 3x M20/M32
4 knockouts in the bottom 2x M25/M32; 2x M20/M25
4 captive cover screws
incl. QUIXX EMS self-sealing membrane screw 2x M25; 1x M32
incl. terminal block 5-poles, 10mm²

20.10.2016

