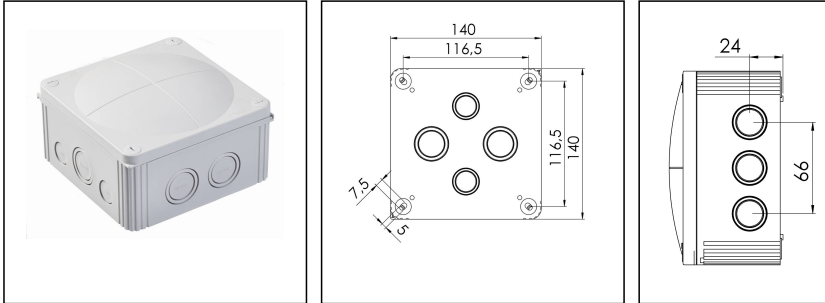


## COMBI 1010/empty/W

Junction box, polypropylene



Product illustrations are exemplary and may differ from the chosen product. Further variants and individual customization, we will gladly provide you on request.



<b>Material</b>	Polypropylene
<b>Material sealing gasket</b>	TPE
<b>Temp. range min</b>	-30 °C
<b>Temp. range max</b>	100 °C
<b>Temperatures during install.</b>	-5 °C - 60 °C
<b>Protection class</b>	IP66/67
<b>Glow wire test</b>	750 °C
<b>Voltage</b>	690 V
<b>Terminals/poles</b>	10 mm <sup>2</sup>
<b>Fixing</b>	4 internal openings
<b>Ø cable diameter min</b>	6 mm
<b>Ø cable diameter max</b>	21 mm
<b>External dimensions LxWxH</b>	140 x 140 x 82mm
<b>Using for cable gland</b>	
<b>Product Color</b>	RAL 9001
<b>WISKA-Order no.</b>	10062210
<b>Type</b>	COMBI 1010/empty/W
<b>Packing unit</b>	2
<b>ETIM-Classification</b>	EC002600

Remarks:

- IP66: using the QUIXX self sealing membrane screw
- IP67: using the knockout entry together with ESKV cable gland
- Mounting: 4 internal openings outside of the sealing area
- Equipment: 10 knockouts side 5x M25/M32; 2x M20; 3x M20/M32

WISKA Hoppmann & Mulsow GmbH  
Kisdorfer Weg 28 · 24568 Kaltenkirchen · Germany  
☎ +49-4191-508-0 · 📠 +49-4191-508-209  
contact@wiska.com · www.wiska.com

4 knockouts in the bottom 2x M25/M32; 2x M20/M25  
4 captive cover screws  
including QUIXX EMS self-sealing membrane screw 2x M25; 1x M32

20.10.2016

