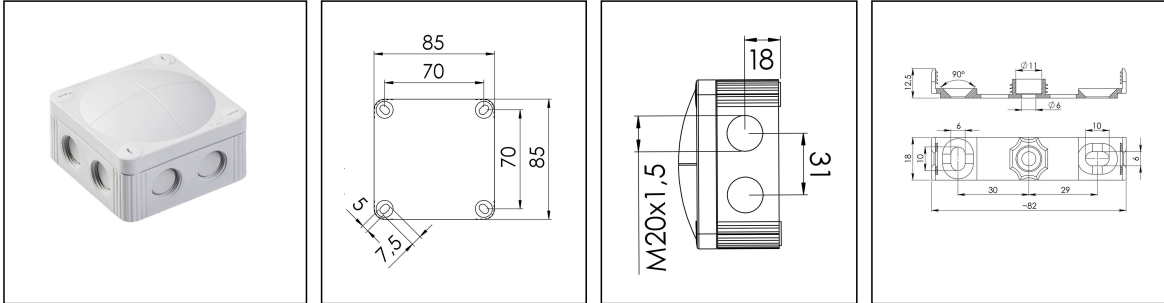


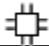
## COMBI 308/5/W

Junction box, polypropylene



Product illustrations are exemplary and may differ from the chosen product. Further variants and individual customization, we will gladly provide you on request.



<b>Material</b>	Polypropylene
<b>Material sealing gasket</b>	TPE
<b>Temp. range min</b>	-30 °C
<b>Temp. range max</b>	100 °C
<b>Temperatures during install.</b>	-5 °C - 60 °C
<b>Protection class</b>	IP66/67
<b>Glow wire test</b>	750 °C
<b>Voltage</b>	400 V
<b>Terminals/poles</b>	4 mm <sup>2</sup>
<b>Terminals/poles</b>	5 x 4mm <sup>2</sup>
<b>Fixing</b>	4 internal openings
<b>Ø cable diameter min</b>	3 mm
<b>Ø cable diameter max</b>	12 mm
<b>External dimensions LxWxH</b>	85 x 85 x 51mm
<b>Type of cable gland</b>	M 20 x 1,5
<b>Using for cable gland</b>	
<b>Product Color</b>	RAL 9001
<b>WISKA-Order no.</b>	10060611
<b>Type</b>	COMBI 308/5/W
<b>Packing unit</b>	5
<b>ETIM-Classification</b>	EC002600

Remarks:

Fixing: With mounting clip or 4 internal openings outside of the sealing area

Equipment: 8 elastic self-sealing puncture-membranes for cable entry

8 intergrated M20 thread for mounting without lock nut  
4 captive cover screws  
including mounting clip  
with terminal block 5-poles, 4mm<sup>2</sup>

03.11.2016

