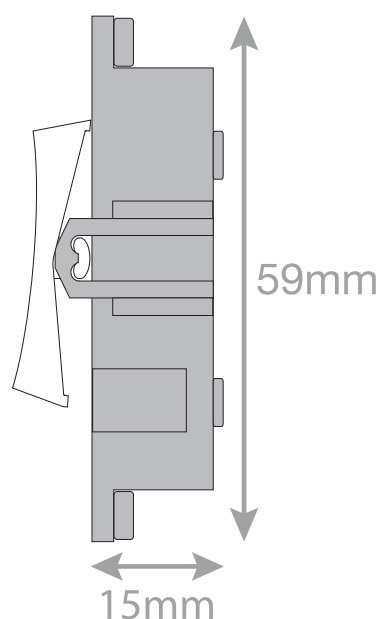
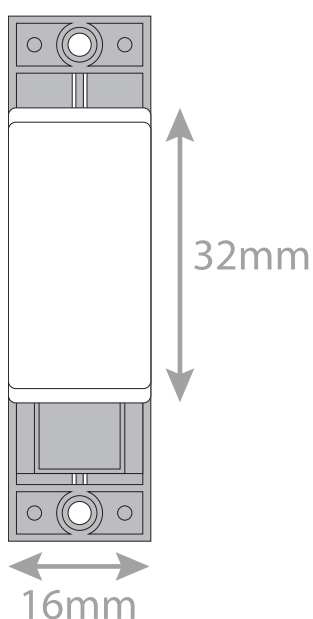


Data Sheet : SSLM-507



Code	SSLM-507
Description	10 Amp Intermediate Switch – X-Rated
Size	Overall Size: 59 x 16 x 15mm / Switch Size: 32 x 16mm
Range	Selectric Smooth Modules
Colour	White
Included	Fixing screws
Material	Polycarbonate Housing, Urea Front & Copper Terminals
Weight	0.020kg
Inner Carton Quantity	50
Inner Carton Weight	1kg
Guarantee	30 years
Barcode	5025117994351
Commodity Code	85369085
Standards	BS EN 60669-1
Notes	<ul style="list-style-type: none"> • X-Rated for fluorescent or inductive loads • For use with Selectric Smooth modular plates • Minimum backing box depth required: 16mm