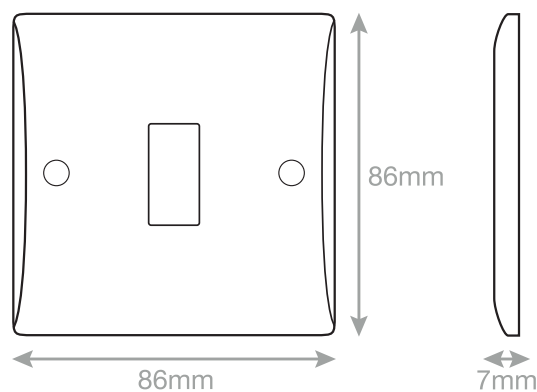


Data Sheet : SSLM-1G



Code	SSLM-1G
Description	1 Aperture Modular Plate
Size	86mm x 86mm x 7mm
Range	Selectric Smooth Modular Plates (Unpopulated)
Colour	White
Included	Fixing Screws & Blanking Caps
Material	Urea
Weight	0.48kg
Inner Carton Quantity	20
Inner Carton Weight	9.6kg
Guarantee	30 Years
Barcode	5025117013007
Commodity Code	85369085
Standards	BS 5733
Notes	<ul style="list-style-type: none">• To fit (1 x single module)• Single module dimensions: 32 x 16mm• For use with Selectric Smooth modules• Minimum backing box depth required: 16mm