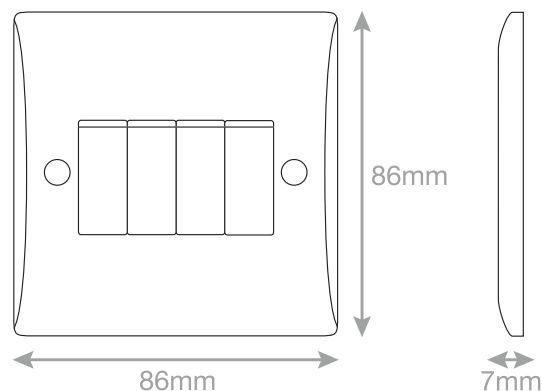


Data Sheet : SSL577



Code	SSL577
Description	10 Amp Plate Switch - 4 Gang 2 Way - X-Rated - 1 Gang Plate
Size	86mm x 86mm x 7mm depth
Range	Selectric Smooth
Colour	White
Material	Bakelite
Included	M3.5 fixing screws & white blanking caps
Weight	0.13kg
Inner Carton Quantity	10
Inner Carton Weight	1.3kg
Guarantee	30 years
Barcode	5025117008935
Commodity Code	85369085
Standards	BS EN 60669-1
Notes	<ul style="list-style-type: none"> • X-rated for fluorescent or inductive loads • Modular and Euro Media products available within the range • Minimum back box size required: 16mm depth