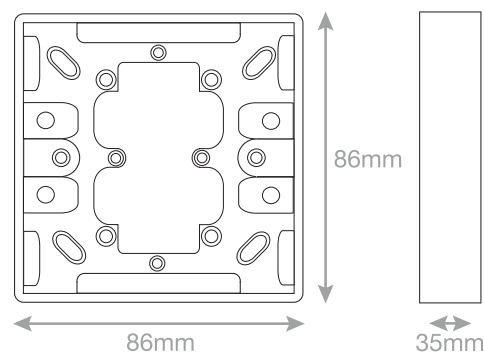


Data Sheet : SSL553



Code	SSL553
Description	1 Gang Surface Pattress Box - 35mm Deep
Size	86mm x 86mm x 35mm depth
Range	Selectric Smooth
Colour	White
Material	Urea
Weight	0.11kg
Inner Carton Quantity	10
Inner Carton Weight	1.1kg
Barcode	5025117987100
Commodity Code	85369085
Standards	BS 5733
Notes	<ul style="list-style-type: none"> • Used for electrical accessories that sit on the surface of walls • The Pattress is screwed in place, and knockouts are provided for cable entry • Knockouts providing many mounting options