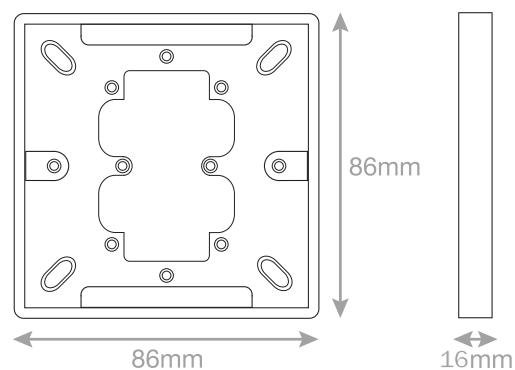


Data Sheet : SSL550



Code	SSL550
Description	1 Gang Surface Pattress Box - 16mm Deep
Size	86mm x 86mm x 16mm depth
Range	Selectric Smooth
Colour	White
Material	Urea
Weight	0.06kg
Inner Carton Quantity	10
Inner Carton Weight	0.6kg
Barcode	5025117987643
Commodity Code	85369085
Standards	BS 5733
Notes	<ul style="list-style-type: none">• Used for electrical accessories that sit on the surface of walls• The Pattress is screwed in place, and knockouts are provided for cable entry• Knockouts providing many mounting options• With earth terminal