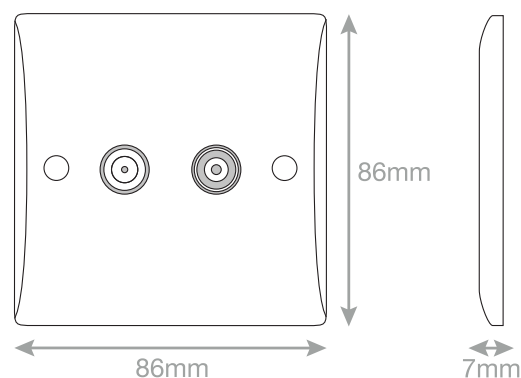


# Data Sheet : SSL538



<b>Code</b>	SSL538
<b>Description</b>	1 Gang F-Type Satellite Socket + 1 Gang TV/FM Coaxial/Aerial Socket – Isolated
<b>Size</b>	86mm x 86mm x 7mm depth
<b>Range</b>	Selectric Smooth
<b>Colour</b>	White
<b>Material</b>	Bakelite
<b>Included</b>	M3.5 fixing screws & white blanking caps
<b>Weight</b>	0.1kg
<b>Inner Carton Quantity</b>	10
<b>Inner Carton Weight</b>	1kg
<b>Guarantee</b>	30 years
<b>Barcode</b>	5025117986387
<b>Commodity Code</b>	85369085
<b>Standards</b>	BS 3041-7
<b>Notes</b>	<ul style="list-style-type: none"> <li>• Suitable for use with – VHF/UHF &amp; Cable TV signals</li> <li>• An isolated socket lets the signal through from the aerial/satellite dish but does not allow any kind of return signal/current. The isolated socket blocks interference from receivers (televisions, digital boxes, satellite boxes) which spoils the signal</li> <li>• Modular and Euro Media products available within the range</li> <li>• Minimum back box size required: 25mm depth</li> </ul>