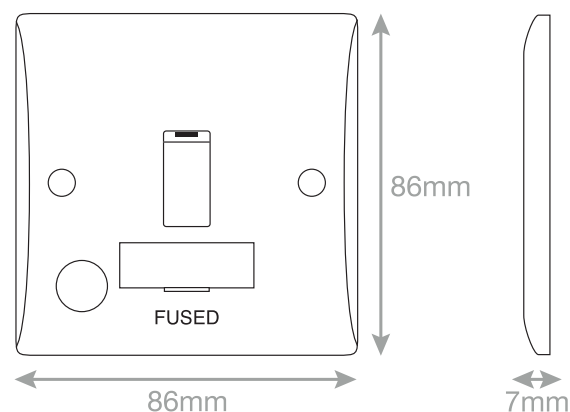


Data Sheet :

SSL530/F



Code	SSL530/F
Description	13 Amp Fused Connection Unit with Flex Outlet DP - Switched
Size	86mm x 86mm x 7mm depth
Range	Selectric Smooth
Colour	White
Material	Bakelite
Included	M3.5 fixing screws & white blanking caps
Weight	0.14g
Inner Carton Quantity	10
Inner Carton Weight	1.4kg
Guarantee	30 years
Barcode	5025117986547
Commodity Code	85369085
Standards	BS 1363-4
Notes	<ul style="list-style-type: none">• A Fused Spur or Connection Unit is commonly used for powerful electrical appliances, such as washing machines, dish washers, extractor fans, hand dryers etc, that need to be installed without a plug. They are also used for electrical items that need to be installed on a separate cable from the ring main, for safety and maintenance purposes• Modular and Euro Media products available within the range• Minimum back box size required: 25mm depth