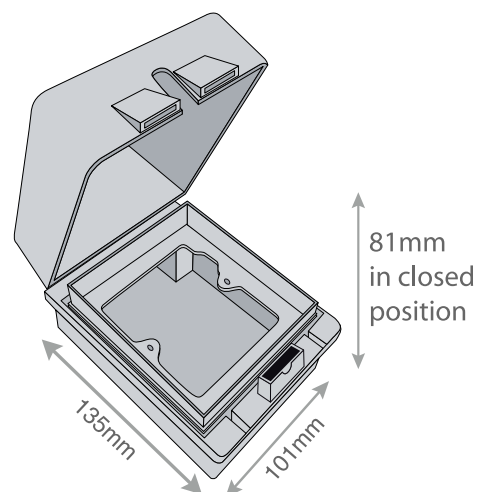


Data Sheet : SS65-1G



Code	SS65-1G
Description	IP65 Rated Heavy Duty Universal Accessory Box - 1 Gang - Unpopulated
Size when closed	135mm (H) x 101mm (W) x 81mm (D) - Internal depth: 30mm
Range	Selectric Seal - IP65 to IP68 Rated Accessories
Colour	Grey
Material	Polycarbonate
Included	Grommet, plugs, screws & instructions
Weight	0.324kg
Inner Carton Quantity	1
Inner Carton Weight	0.379kg
Barcode	5025117993132
Commodity Code	85369085
Standards	BS EN 60529
Notes	<ul style="list-style-type: none"> • Heavy duty & weatherproof, for indoor or outdoor use • Knockout entries x 4 • Mounting holes: 78mm / 98mm • IP65 – Protected against dust that may harm equipment. Protected against water spray from all directions