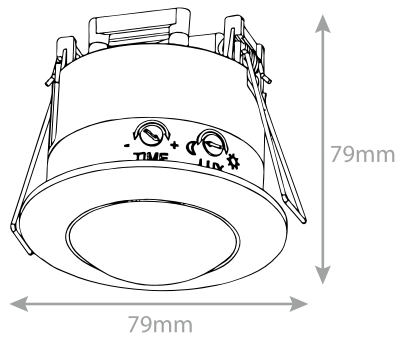
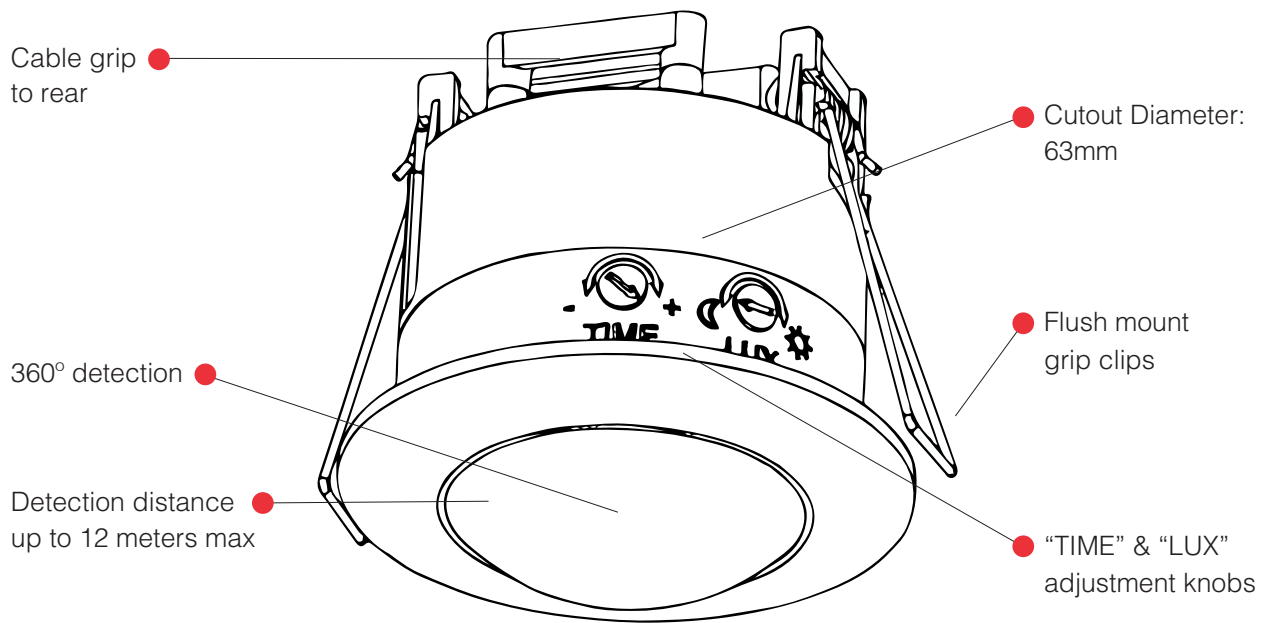


- IP20 - 1200W PIR Sensor - Flush Mounted
- Designed to automatically switch lights on/off when infrared motion is detected
- IP20 - Protected from touch by fingers and objects greater than 12 millimeters. Not protected from liquids



<b>Code</b>	PIR360-FLU
<b>Description</b>	IP20 1200W PIR Motion Sensor - 360° Detection - Flush Mounted
<b>Size</b>	79mm diameter x 79mm depth
<b>Range</b>	Selectric Energy Saving Products
<b>Colour</b>	White
<b>Material</b>	Polycarbonate body & diffuser
<b>Included</b>	Instructions & fixing kit
<b>Weight</b>	0.120kg
<b>Inner Carton Quantity</b>	1
<b>Inner Carton Weight</b>	0.130kg
<b>Barcode</b>	5025117995969
<b>Commodity Code</b>	8531901000999
<b>Standards</b>	EN 61058-1, EN 55015, EN 61547, EN 61000-3-2 & EN 61000-3-3
<b>Notes</b>	<ul style="list-style-type: none"> <li>• PIR - Passive Infra-Red Receiver The PIR is activated when motion is detected within the PIR sensor area and adds extra security to your home, garage or shed</li> <li>• Linkable up to any quantity, but max load should not exceed: 1200W (incandescent lamp), 300W (LED lamp)</li> <li>• For use on Industrial &amp; Domestic Lighting Systems</li> <li>• 360° detection</li> </ul>



<b>Rated Current</b>	Max. 1200W (Incandescent) – 300W (LED)
<b>Ambient Light</b>	3 - 2000 LUX (adjustable)
<b>Installation Height</b>	2.2m ~ 4m
<b>Detection Motion Speed</b>	0.6~1.5m/s
<b>Time-Delay</b>	Min. 10 sec ± 3 sec / Max. 15 min ± 2 min (adjustable)
<b>Input</b>	220-240V / AC
<b>Hertz</b>	50-60Hz
<b>Power Consumption</b>	0.5W (working) 0.1W (static)
<b>Operating Temp</b>	-20-40°C
<b>Protection Class / IP Rating</b>	IP20
<b>Flush Mounting?</b>	Yes
<b>Detection Range</b>	360°
<b>Detection Distance</b>	6m max (<24°)
<b>Sensor</b>	Yes