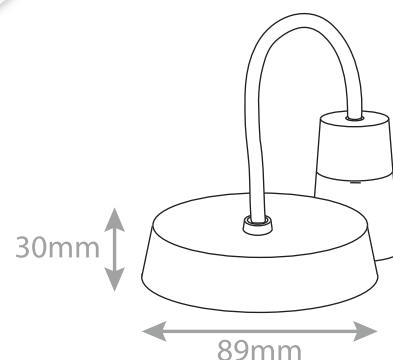


Data Sheet : LG9492W



E27 Bulb Required



Code	LG9492W
Description	Pre-wired T2 Ceiling Rose & Lampholder - E27 Fitting with 6" Flex - White
External Dimensions	Rose: 89mm diameter x 30mm / Lampholder: 70 x 43 x 20mm
Rose Thread	84mm Diameter
Max Bulb	100 Watt
Bulb Type	E27 bulb fitting
Range	Selectric Square
Colour	White
Material	Bakelite (Rose) Thermoplastic (Pendant)
Included	Instructions
Weight	0.12kg
Inner Carton Quantity	10
Inner Carton Weight	1.2kg
Barcode	5025117011225
Commodity Code	85369085
Standards	BS EN 60598-1 & BS 67
Notes	<ul style="list-style-type: none"> • 6" Pendant light fitting for use with ceiling lamp shades • T2 Rated • Metal screw entry for secure bulb fitting