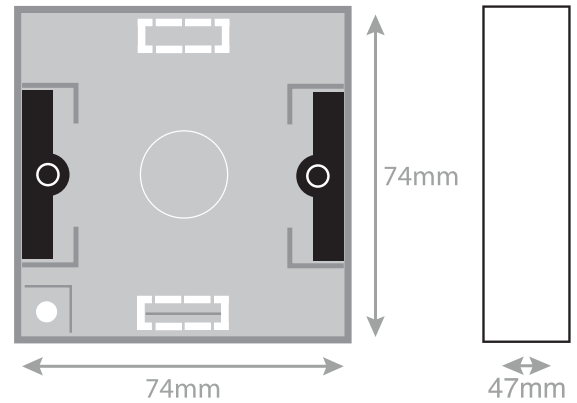
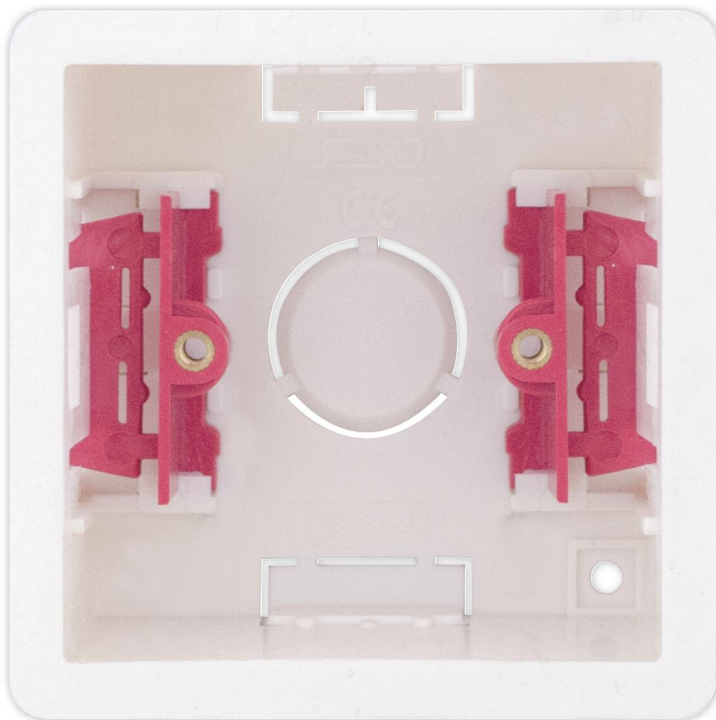


Data Sheet :

LG858-47



Code	LG858-47
Description	1 Gang Dry Lining Box - 47mm Deep - Flush Mount
Size	74 x 74 x 47mm depth
Range	Selectric Square
Colour	White & red
Material	Flame Retardant Thermoplastic
Weight	0.03kg
Inner Carton Quantity	10
Inner Carton Weight	0.3kg
Barcode	5025117018583
Commodity Code	85369085
Standards	EN 60670-1:2005 + A1:2013, The Low Voltage Directive 2014/35/EU
Notes	<ul style="list-style-type: none">• Dry Lining Boxes are used to mount electrical sockets/switches flush to a plasterboard wall or ceiling. The plasterboard is cut to fit the Lining Box and grips are set into place• With knockouts