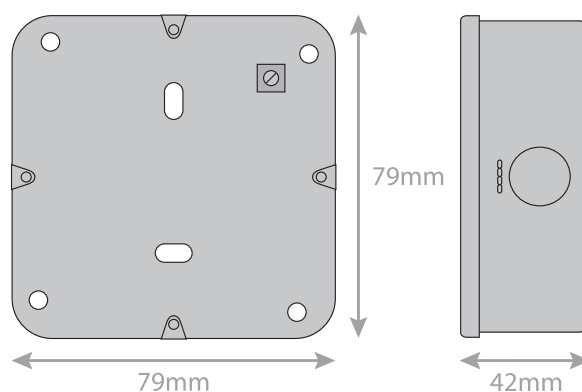


Data Sheet :

LG828MB



Code	LG828MB
Description	Surface Mounting Box - 1 Gang
Size	79mm x 79mm x 42mm depth
Range	Selectric Metal Clad
Colour	Grey
Material	High grade steel with aluminium epoxy powder coating
Weight	0.17kg
Inner Carton Quantity	10
Inner Carton Weight	1.7kg
Guarantee	15 years
Barcode	5025117033012
Commodity Code	85369085
Standards	BS 5733
Notes	<ul style="list-style-type: none">• Boxes supplied with adequate amount of knockouts with 20mm diameters (conduits)• Earth terminal