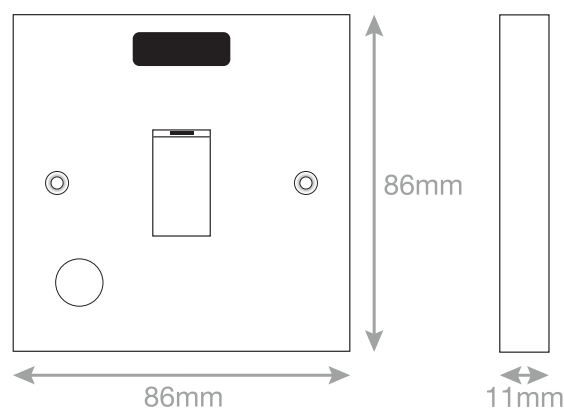


Data Sheet :

LG220N/F



Code	LG220N/F
Description	20 Amp DP Switch with Flex Outlet & Neon
Size	86mm x 86mm x 11mm depth
Range	Selectric Square
Colour	White
Material	Bakelite
Included	M3.5 fixing screws
Weight	0.14kg
Inner Carton Quantity	10
Inner Carton Weight	1.4kg
Guarantee	25 years
Barcode	5025117700129
Commodity Code	85369085
Standards	BS EN 60669-1
Notes	<ul style="list-style-type: none">• ASTA approved• For use with equipment such water heaters• Optional cable outlet located on inside of face plate• Modular and Euro Media products available within the range• Minimum back box size required: 25mm depth