

Data Sheet :

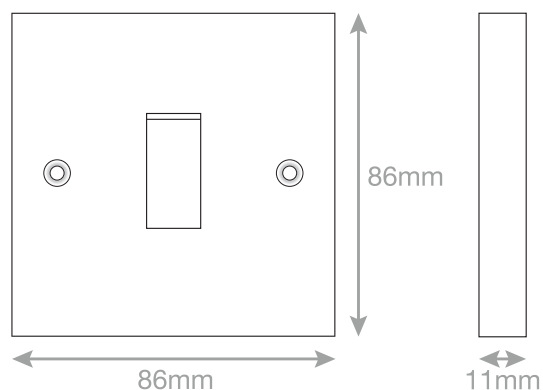
LG206



Intertek



Electrical & Lighting Products



Code	LG206
Description	10 Amp Plate Switch - 1 Gang Intermediate - X-Rated
Size	86mm x 86mm x 11mm depth
Range	Selectric Square
Colour	White
Material	Bakelite
Included	M3.5 fixing screws
Weight	0.06kg
Inner Carton Quantity	10
Inner Carton Weight	0.6kg
Guarantee	25 years
Barcode	5025117002063
Commodity Code	85369085
Standards	BSEN60669-1
Notes	<ul style="list-style-type: none">• ASTA approved• X-rated for fluorescent or inductive loads• Modular and Euro Media products available within the range• Minimum back box size required: 16mm depth