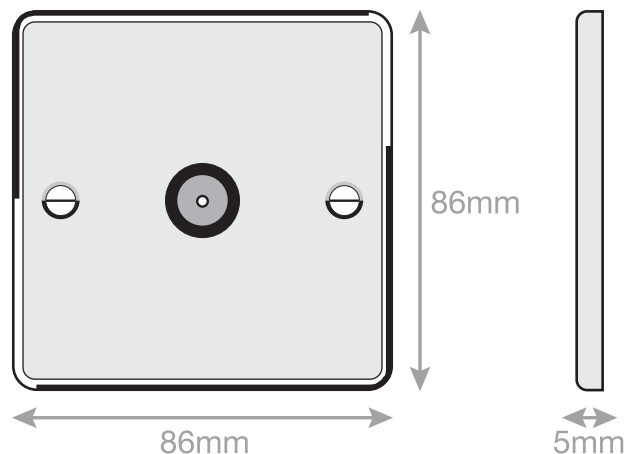


Data Sheet : DSL833



Code	DSL833
Description	1 Gang TV/FM Coaxial/Aerial Socket
Size	86mm x 86mm x 5mm depth
Range	Selectric 5M
Colour	Satin brass with black insert
Material	Premium grade steel
Included	M3.5 fixing screws & wiring instructions
Weight	0.16kg
Inner Carton Quantity	10
Inner Carton Weight	1.6kg
Guarantee	5 year plate guarantee
Barcode	5025117978337
Commodity Code	85369085
Standards	BS 3041-7
Notes	<ul style="list-style-type: none">• Suitable for use with – VHF/UHF TV signals• Modular and Euro Media products available within the range• Minimum back box size required: 25mm depth