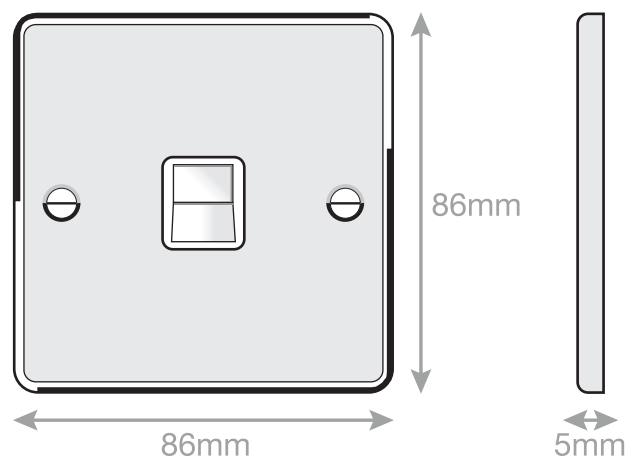


Data Sheet :

DSL338



Code	DSL338
Description	1 Gang BT (Master) Communication / Data Socket
Size	86mm x 86mm x 5mm depth
Range	Selectric 5M
Colour	Polished chrome with white insert
Material	Premium grade steel
Included	M3.5 fixing screws & wiring instructions
Weight	0.15kg
Inner Carton Quantity	10
Inner Carton Weight	1.5kg
Guarantee	5 year plate guarantee
Barcode	5025117983386
Commodity Code	85369085
Standards	BS 6312-2-2 & BS EN 50173-1
Notes	<ul style="list-style-type: none">• Intended for use as the first socket outlet on a direct exchange line as the Primary Network Terminal Point - Master• Modular and Euro Media products available within the range• Minimum back box size required: 25mm depth