

# Data Sheet :

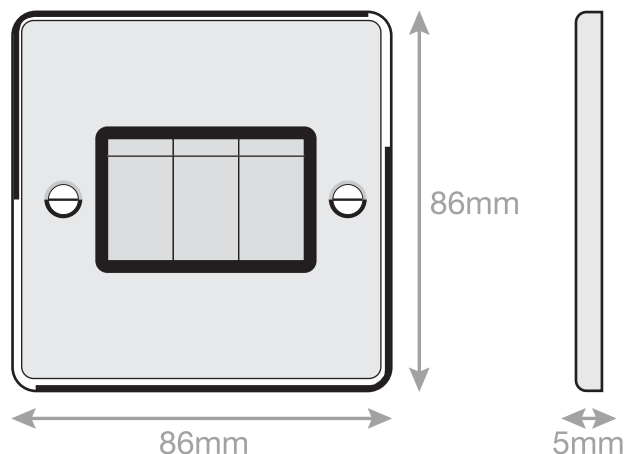
## DSL203



Intertek



Electrical & Lighting Products



<b>Code</b>	DSL203
<b>Description</b>	10 Amp Plate Switch - 3 gang 2 way - X-Rated
<b>Size</b>	86mm x 86mm x 5mm
<b>Range</b>	Selectric 5M
<b>Colour</b>	Satin chrome black insert & matching metal rockers
<b>Material</b>	Premium grade steel
<b>Included</b>	M3.5 fixing screws & wiring instructions
<b>Weight</b>	0.16kg
<b>Inner Carton Quantity</b>	10
<b>Inner Carton Weight</b>	1.6kg
<b>Guarantee</b>	5 year plate guarantee
<b>Barcode</b>	5025117982037
<b>Commodity Code</b>	85369085
<b>Standards</b>	BS EN 60669-1
<b>Notes</b>	<ul style="list-style-type: none"> <li>• ASTA approved</li> <li>• Matching metal rockers</li> <li>• X-rated for fluorescent or inductive loads</li> <li>• Modular and Euro Media products available within the range</li> <li>• Minimum back box size required: 16mm depth</li> </ul>