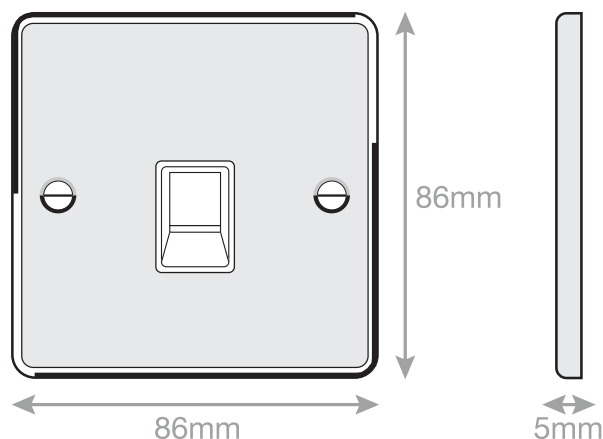


# Data Sheet :

## DSL140



<b>Code</b>	DSL140
<b>Description</b>	1 Gang RJ45 Computer / Data Socket
<b>Size</b>	86mm x 86mm x 5mm depth
<b>Range</b>	Selectric 5M
<b>Colour</b>	Satin chrome with white insert
<b>Material</b>	Premium grade steel
<b>Included</b>	M3.5 fixing screws & wiring instructions
<b>Weight</b>	0.15kg
<b>Inner Carton Quantity</b>	10
<b>Inner Carton Weight</b>	1.5kg
<b>Guarantee</b>	5 year plate guarantee
<b>Barcode</b>	5025117981405
<b>Commodity Code</b>	85369085
<b>Standards</b>	BS 6312-2-2 & BS EN 50173-1
<b>Notes</b>	<ul style="list-style-type: none"><li>• Used to connect computers onto Ethernet-based LAN (Local Area Network)</li><li>• RJ45: 8P8C = 8 Position 8 Contact</li><li>• Modular and Euro Media products available within the range</li><li>• Minimum back box size required: 35mm depth</li></ul>