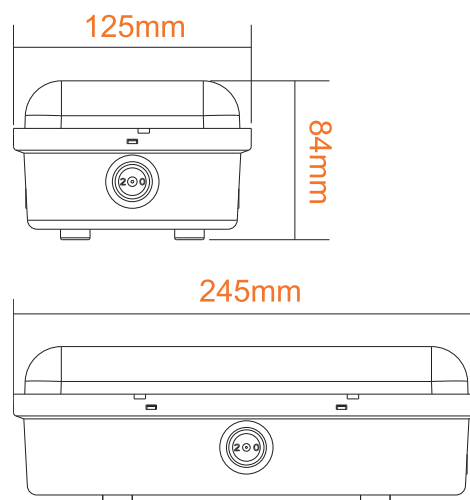


Data Sheet

ATOM-F-3

IP65 9W rectangular LED bulkhead with microwave sensor



- Ideal for indoor or outdoor use
- Featuring push connectors for easy wiring
- Incorporates 32 Sanan LED chips
- Non-dimmable
- Light output: 6000K cool white
- Designed with an anti-glare diffuser
- IP65 - Protected against dust that may harm equipment. Protected against water spray from all directions
- Microwave sensor version available

Code	ATOM-F-3
Description	IP65 9W rectangular LED bulkhead with microwave sensor - 6000K cool white
Size	245mm (L) x 125mm (W) x 84mm (H)
Range	Selectric ATOM LED Bulkheads – ATOM-F
Colour	Black & white
Material	Polycarbonate casing and diffuser
Included	Fixing kit & instructions
Inner Carton Quantity	1
Weight	0.395kg
Inner Carton Weight	0.49kg
Warranty	3 years
Guarantee	40,000 hours
Barcode	5025117016145
Commodity Code	9405409000
Standards	EN 55015-2 & EN 61547-2, EN 61000-2 & EN 61000-3
Notes	<ul style="list-style-type: none">• 4 x 20mm knockouts to edges + knockouts to rear• Optional red diffuser available (ATOM-F-4)• Rubber seal maintains IP rating



Wattage	9W
Lumens Delivered	850 Lumens
Luminaire efficacy	95 lm/w
Colour Rendering Index min	>80
Correlated colour temperature	6000K cool white
Input	230V
Hertz	50/60Hz
Operating Temp	-20-45°C
Type of Dimming	Non-dimmable
Impact Strength	IK10
Protection Class / IP Rating	IP65
Wall Mounting?	Yes
Ceiling Mounting?	Yes
Recessed Mounting?	No
Surface Mounting?	Yes
Beam Angle	120°
Emergency Back-Up?	N/A
Maintained / Non-Maintained?	N/A
Photocell?	Ristar
Driver	Ristar
LEDs	32 Sanan LED chips
Sensor	Merrytek