

Data Sheet :

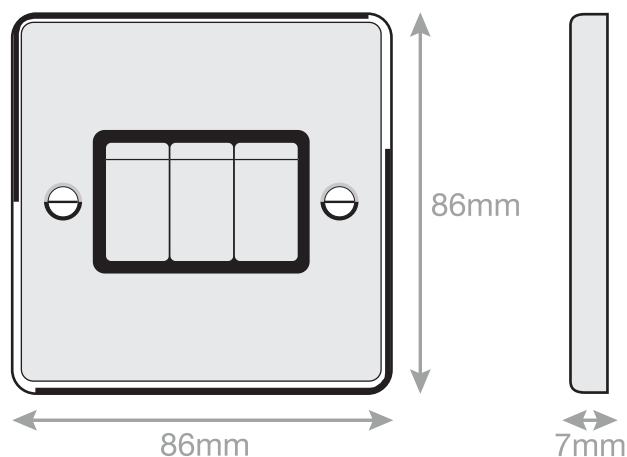
7MPRO-703



Intertek



Electrical & Lighting Products



Code	7MPRO-703
Description	10 Amp Plate Switch - 3 Gang 2 Way - X-Rated
Size	86mm x 86mm x 7mm depth
Range	Selectric 7M-PRO
Colour	Satin chrome grey insert
Material	Premium grade steel
Included	M3.5 fixing screws & wiring instructions
Weight	0.18kg
Inner Carton Quantity	10
Inner Carton Weight	1.8kg
Guarantee	5 year plate guarantee
Barcode	5025117015674
Commodity Code	85369085
Standards	BS EN 60669-1
Notes	<ul style="list-style-type: none">• ASTA approved• Matching curved metal rockers• X-rated for fluorescent or inductive loads• Modular and Euro Media products available within the range• Minimum back box size required: 16mm depth