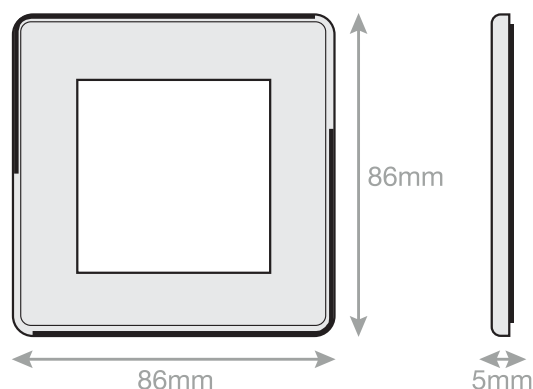
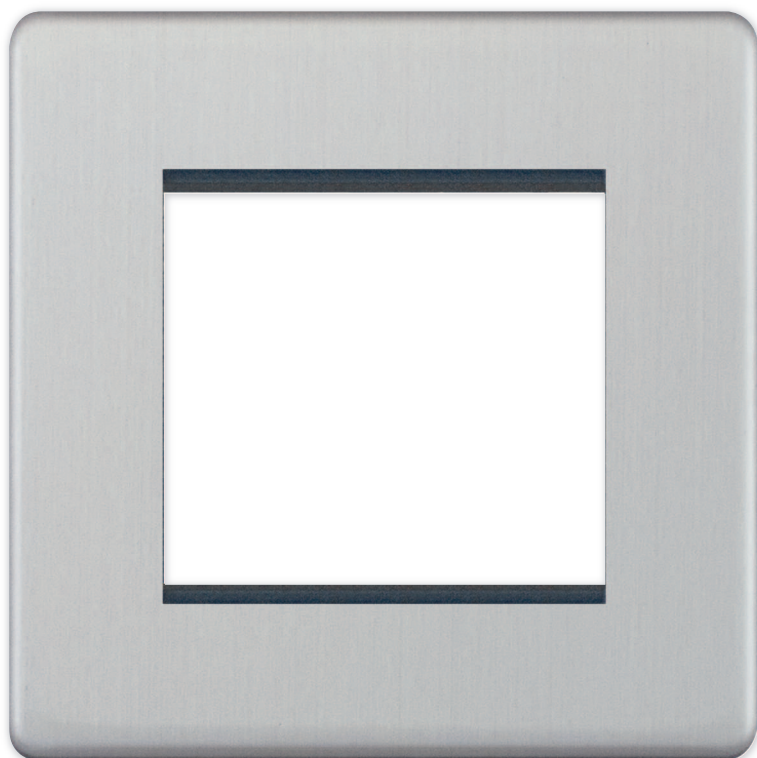


Data Sheet :

5MPLUS-4



Electrical & Lighting Products



| | |
|------------------------------|---|
| Code | 5MPLUS-4 |
| Description | 2 Aperture - Satin Chrome - Screwless |
| Size | 86mm x 86mm x 5mm |
| Range | Selectric Euro Media / Data Plates & Modules - 5M-PLUS |
| Colour | Satin Chrome |
| Included | M3.5 fixing screws |
| Material | Premium grade steel |
| Weight | 0.90kg |
| Inner Carton Quantity | 20 |
| Inner Carton Weight | 18kg |
| Guarantee | 5 years |
| Barcode | 5025117008102 |
| Commodity Code | 85369085 |
| Standards | BS 5733 |
| Notes | <ul style="list-style-type: none"> • Modular plate for use with Euro Media / Data Modules • To fit (2 x single modules) or (1 x double module) • Single module dimensions – 25 x 50mm • Double module dimensions – 50 x 50mm • Minimum back box depth required: 16mm |