



Plate Switches (Modular)



The smooth modern lines of the Deco accessory plate will fit easily into traditional and contemporary designs alike.

Deco switches are developed largely as a modular range based on the large selection of switch modules available in the CLICK MINIGRID Module range. Simple, single screw fixing of modules offers the simplest possible means of installing and replacing modules.

10AX Plate Switches (Modular)

Product Range

Finish Comparison



Antique Brass (AB)



Polished Brass (BR)



Polished Chrome (CH)



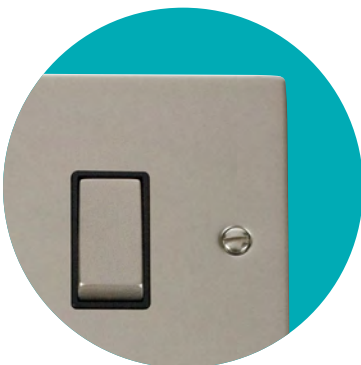
Satin Chrome (SC)



Satin Brass (SB)



Black Nickel (BN)



Pearl Nickel (PN)



Stainless Steel (SS)



Georgian Cast Brass (GCBR)

V1.0

10AX Plate Switches (Modular)

Product Range

10AX Plate Switches (Modular)

VP**011##	10AX 1 Gang 2 Way Plate Switch
VP**012##	10AX 2 Gang 2 Way Plate Switch
VP**013##	10AX 3 Gang 2 Way Plate Switch
VP**019##	10AX 4 Gang 2 Way Plate Switch
VP**105##	10AX 6 Gang 2 Way Plate Switch
VP**025##	10AX Intermediate Switch



VPCH011WH VPCH025WH



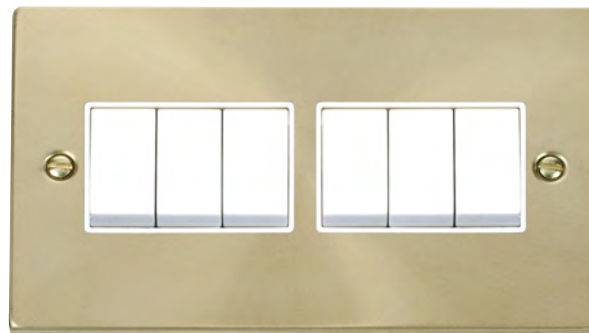
VPAB012BK



VPSC013WH



VPBN019BK



VPSB105WH

10AX Plate Switches (Modular)

Product Range

'Ingot' 10AX Plate Switches (Modular)

VP**411##	'Ingot' 10AX 1 Gang 2 Way Plate Switch
VP**412##	'Ingot' 10AX 2 Gang 2 Way Plate Switch
VP**413##	'Ingot' 10AX 3 Gang 2 Way Plate Switch
VP**414##	'Ingot' 10AX 4 Gang 2 Way Plate Switch
VP**416##	'Ingot' 10AX 6 Gang 2 Way Plate Switch
VP**425##	'Ingot' 10AX Intermediate Switch



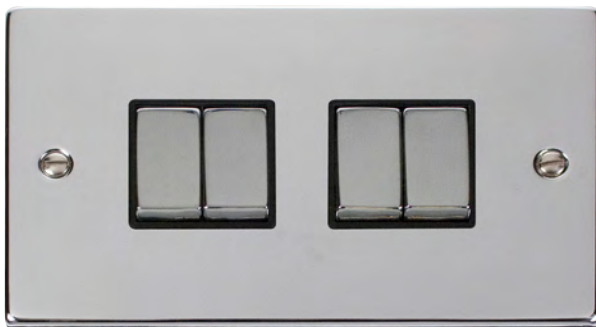
VPBR411WH VPBR425WH



VPSS412BK



VPPN413WH



VPCH414BK

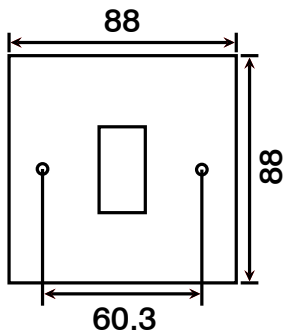


VPSC416WH

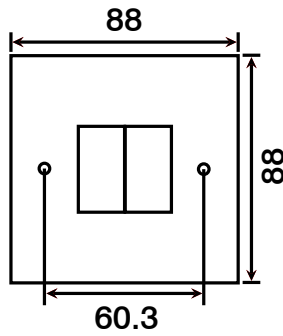
10AX Plate Switches (Modular)

Product Dimensional Drawings (mm)

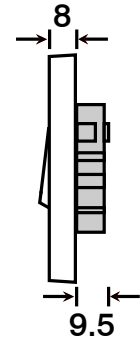
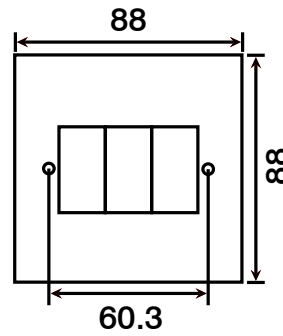
VP**011, 025, 411, 425



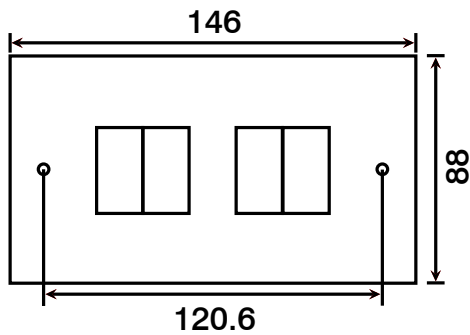
VP**012, 412



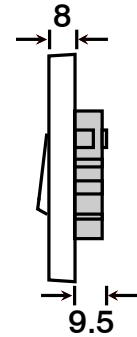
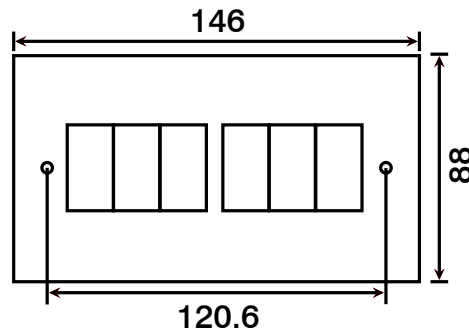
VP**013, 413



VP**019, 414



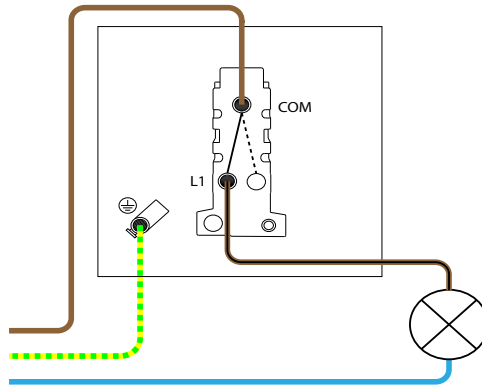
VP**105, 416



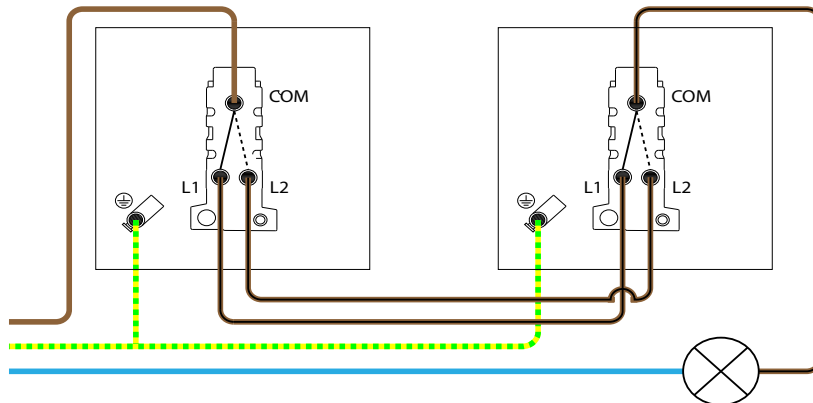
10AX Plate Switches (Modular)

Wiring Diagrams

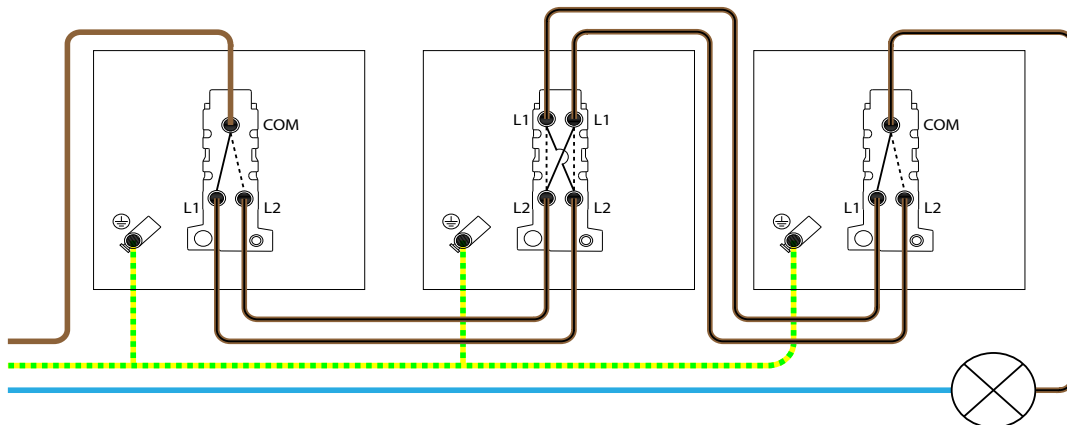
1 Way Switched Circuit



2 Way Switched Circuit



Intermediate Switched Circuit



Errors & Omissions excluded. Specification is subject to change without notice.

V1.0

Scolmore International Ltd, 1 Scolmore Park, Landsberg, Lichfield Road Ind. Estate, Tamworth, Staffordshire, B79 7XB

Telephone: 01827 63454

E-mail: sales@scolmore.com, technical@scolmore.com

Facsimile: 01827 63362

Website: www.scolmore.com

10AX Plate Switches (Modular)

Technical Specification

10AX Plate Switches (Modular)

Material Composition	Front Plate: Stainless Steel
	Rear Housing: Nylon
	Terminals: Brass
	Earth Strap: Mild Steel
	Terminal Screws: Steel & Yellow Passivated
	Silver “on-lay” Copper / Brass Contacts
Voltage	240V~ 50Hz
Current Rating	10AX (suitable for inductive loads)
Terminal Size	3.5mm ø
Torque Value	0.4Nm
Cable Size	4 x 1.5mm ² or 2 x 2.5mm ²
Back Box Depth	16mm - 47mm
Modular	Yes
Warranty	10 Years
IP Rating	IP20
Operational Temperature	-5° to +40°C
Standards	The Low Voltage Directive 2006/95/EC
	BS EN 60669-1:1999 + A1:2002 + A2:2008

Additional Information

Ensure that the mains supply is isolated before commencing installation and refer to the circuit diagram with the relevant product.

Bare earth cables must always be covered with appropriate sleeving and wired to the earth terminal.

Interchangeable with switches in the MINIGRID system.





DECLARATION OF CONFORMITY

1. *Issuer Name* Scolmore International Limited
2. *Issuer Address* 1 Scolmore Park, Landsberg,
Lichfield Road Industrial Estate,
Tamworth, Staffordshire, B79 7XB
3. *Object(s) of Declaration* Deco Range
- a. *Group* 10AX Switches
- b. *Model No.* VP-011, VP-012, VP-013, VP-019, VP-105, VP-025, VP-411, VP-412, VP-413,
VP-414, VP-416, VP-425

4. *The object of the declaration described above is in conformity with the requirements of the following Legislations:*

Document No	Title
2006/95/EC	Low Voltage Directive

5. *All products contained within the aforementioned comply with the relevant standards and requirements listed below.*

EN 60669-1:1999 + A1:2002 + A2:2008

6. *I hereby declare that the equipment named above has been designed to comply with the relevant sections of the above referenced specifications. The unit complies with all applicable Essential Requirements of the Directives.*

In conjunction with the above all manufacture and process controls are in accordance with ISO 9001:2008

Signed, for and on behalf of: Scolmore International Limited

Steven Bettson BSc - Senior Technical Support Engineer

CE 13