



13A USB Power Socket Outlets



Eliminate the need for bulky chargers and free up your plug sockets with a 2 gang switch with integrated USB. The convenient USB port is centrally located to avoid cable interference from anything that maybe be plugged into the sockets.

Suitable for most tablets, smart phones, cameras and other USB devices, all of which can still be used whilst charging. Our single USB output guarantees optimum charge rate regardless of the device charging.

13A USB Power Socket Outlets

Product Range

Finish Comparison



Antique Brass (AB)



Polished Brass (BR)



Polished Chrome (CH)



Satin Chrome (SC)



Satin Brass (SB)



Black Nickel (BN)



Pearl Nickel (PN)



Stainless Steel (SS)



Georgian Cast Brass (GCBR)

V1.0

13A USB Power Socket Outlets

Product Range

13A USB Power Socket Outlets

VP771##**

13A 1 Gang Switched Socket with Single USB Charging Outlet

VP770##**

13A 2 Gang Switched Socket with Single USB Charging Outlet

'Ingot' 13A USB Power Socket Outlets

VP571##**

'Ingot' 13A 1 Gang Switched Socket with Single USB Charging Outlet

VP570##**

'Ingot' 13A 2 Gang Switched Socket with Single USB Charging Outlet



VPCH771WH



VPSS770BK



VPBN571BK

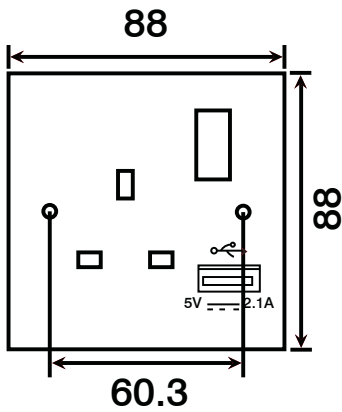


VPSC570WH

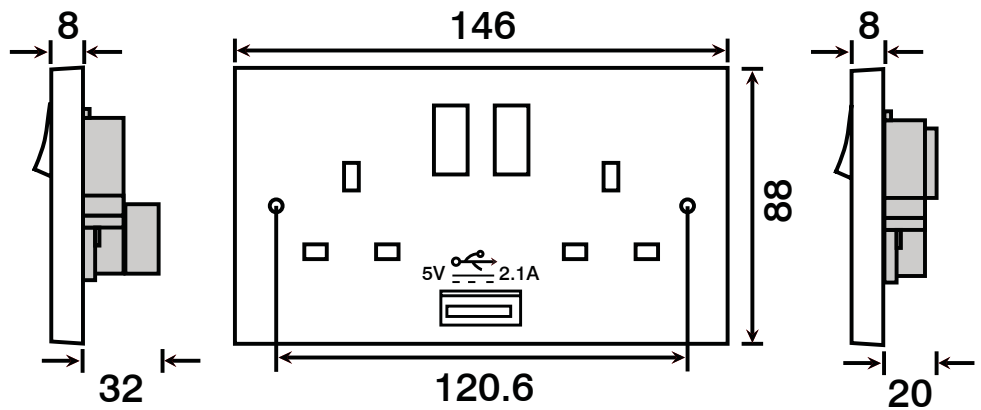
13A USB Power Socket Outlets

Product Dimensional Drawings (mm)

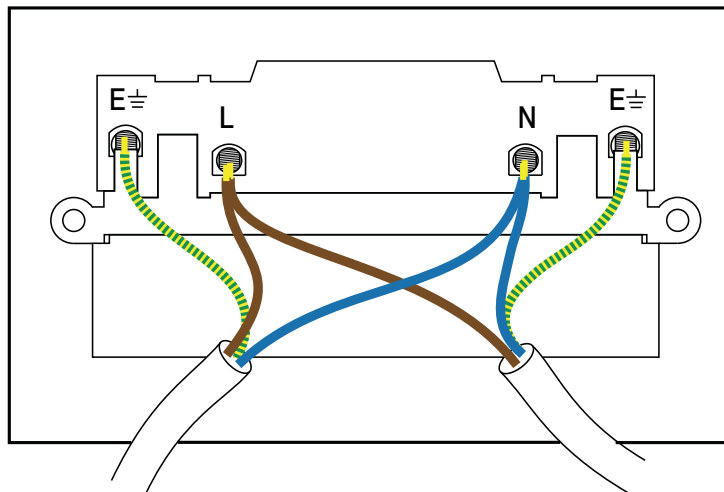
VP**571, 771



VP**570, 770



Product Wiring Diagram



13A USB Power Socket Outlets

Technical Specification

13A USB Power Socket Outlets

Material Composition	Front Plate: Stainless Steel, Rear Housing: Urea Terminals: Brass, Terminal Screws: Steel & Yellow Passivated Earth Strap: Mild Steel, Silver “on-lay” Copper / Brass Contacts
Voltage	240V~ 50Hz
Current Rating	13A
Terminal Size	5mm ø
Torque Value	2.5Nm
Cable Size	4 x 2.5mm ²
Back Box Depth	35mm - 47mm (1 Gang), 25mm - 47mm (2 Gang)
Switched	Yes
Double Pole	No (Single Pole)
Twin Earth	Yes
USB Charging Output	5V DC, 2.1A
USB Output Connector	USB Type “A”
USB Standby Current	2mA
Warranty	1 Year
IP Rating	IP20
Operational Temperature	-5° to +40°C
Standards	BS 5733:2010 + A1:2014 (Ref: BS 1363-2: 1995 + A4:2012) BS EN 60950-1:2006 + A2:2013 (USB Charger) EN 61000-6-1:2007, EN 61000-6-3:2007 + A1:2011 (EMC)

Additional Information

Make certain that all USB Socket Outlets are disconnected before Mega Testing the circuit to protect electronic components

Ensure that the mains supply is isolated before commencing installation and refer to the circuit diagram with the relevant product.

Bare earth cables must always be covered with appropriate sleeving and wired to the earth terminal.

Errors & Omissions excluded. Specification is subject to change without notice.

V1.0

Scolmore International Ltd, 1 Scolmore Park, Landsberg, Lichfield Road Ind. Estate, Tamworth, Staffordshire, B79 7XB

Telephone: 01827 63454

E-mail: sales@scolmore.com, technical@scolmore.com

Facsimile: 01827 63362

Website: www.scolmore.com



DECLARATION OF CONFORMITY

1. *Issuer Name* Scolmore International Limited
2. *Issuer Address* 1 Scolmore Park, Landsberg,
Lichfield Road Industrial Estate,
Tamworth, Staffordshire, B79 7XB
3. *Object(s) of Declaration* Deco Range
- a. *Group* USB Charging Socket Outlets
- b. *Model No.* VP-570, VP-571, VP-770, VP-771
4. *The object of the declaration described above is in conformity with the requirements of the following Legislations:*
- | Document No | Title |
|-------------|-----------------------|
| 2006/95/EC | Low Voltage Directive |

5. *All products contained within the aforementioned comply with the relevant standards and requirements listed below.*

BS 5733: 2010 + A1: 2014 (with reference to BS 1363-2: 1995 + A4: 2012)

BS EN 60950-1: 2006 + A2: 2013

EN 61000-6-1: 2007, EN 61000-6-3: 2007 + A1: 2011

6. *I hereby declare that the equipment named above has been designed to comply with the relevant sections of the above referenced specifications. The unit complies with all applicable Essential Requirements of the Directives.*

In conjunction with the above all manufacture and process controls are in accordance with ISO 9001:2008

Signed, for and on behalf of: Scolmore International Limited

Steven Bettson BSc - Senior Technical Support Engineer

CE 15