

45A Cooker Switches & Socket Outlets



The smooth modern lines of the Definity accessory plate will fit easily into traditional and contemporary designs alike.

Definity Screwless 45A Cooker Switches and socket outlets are designed to fit effortlessly with the range, with simple installation to enhance the décor of any area.

45A Cooker Switches & Socket Outlets

Product Range

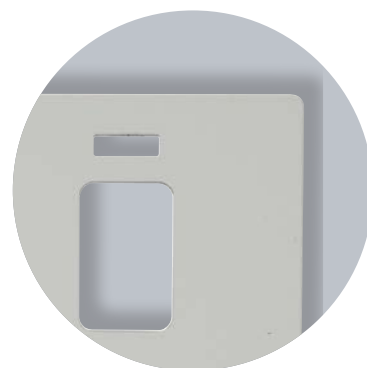
Finish Comparison



Brushed Steel (BS)



Matt Black (BK)



Polar White (PW)



Polished Chrome (CH)



Stainless Steel (SS)

45A Cooker Switches & Socket Outlets

Product Range

45A Cooker Switches & Socket Outlet Inserts

SIN200**	45A 1 Gang Single Cooker Switch Insert
SIN201**	45A 1 Gang Single Cooker Switch with Neon Insert
SIN202**	45A 2 Gang Single Cooker Switch Insert
SIN203**	45A 2 Gang Single Cooker Switch with Neon Insert
SIN204**	45A Cooker Switch with 13A Switched Socket Insert
SIN205**	45A Cooker Switch with 13A Switched Socket & Neon Insert



SIN200PW



SIN201BK



SIN202PW



SIN203BK



SIN204BK



SIN205PW

Errors & Omissions excluded. Specification is subject to change without notice. ** Denotes Insert Colour

V1.0

Scolmore International Ltd, 1 Scolmore Park, Landsberg, Lichfield Road Ind. Estate, Tamworth, Staffordshire, B79 7XB

Telephone: 01827 63454

E-mail: sales@scolmore.com, technical@scolmore.com

Facsimile: 01827 63362

Website: www.scolmore.com

45A Cooker Switches & Socket Outlets

Product Range

45A 'Ingot' Cooker Switches & Socket Outlet Inserts

SIN500**##	45A 'Ingot' 1 Gang Single Cooker Switch Insert
SIN501**##	45A 'Ingot' 1 Gang Single Cooker Switch with Neon Insert
SIN502**##	45A 'Ingot' 2 Gang Single Cooker Switch Insert
SIN503**##	45A 'Ingot' 2 Gang Single Cooker Switch with Neon Insert
SIN504**##	45A 'Ingot' Cooker Switch with 13A Switched Socket Insert
SIN505**##	45A 'Ingot' Cooker Switch with 13A Switched Socket & Neon Insert



SIN500PWBS



SIN501BKSS



SIN502PWCH



SIN503BKBS



SIN504BKCH



SIN505PWSS

Errors & Omissions excluded. Specification is subject to change without notice. ** Denotes Insert Colour, ## Denotes Switch Finish

V1.0

Scolmore International Ltd, 1 Scolmore Park, Landsberg, Lichfield Road Ind. Estate, Tamworth, Staffordshire, B79 7XB

Telephone: 01827 63454

E-mail: sales@scolmore.com, technical@scolmore.com

Facsimile: 01827 63362

Website: www.scolmore.com

45A Cooker Switches & Socket Outlets

Product Range

45A Cooker Switches & Socket Outlet Cover Plates

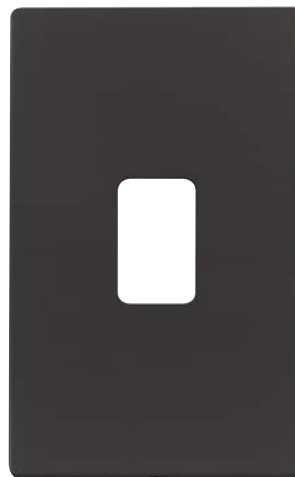
SCP200**	45A Switch Cover Plate
SCP201**	45A Switch with Neon Cover Plate
SCP202**	45A Switch Cover Plate (Vertical)
SCP203**	45A Switch with Neon Cover Plate (Vertical)
SCP204**	45A Switch with 13A Switched Socket Cover Plate
SCP205**	45A Switch with 13A Switched Socket & Neons Cover Plate



SCP200BS



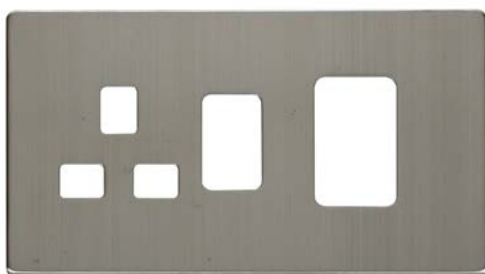
SCP201CH



SCP202BK



SCP203PW



SCP204SS



SCP205BS

Errors & Omissions excluded. Specification is subject to change without notice. ** Denotes Cover Plate Finish

V1.0

Scolmore International Ltd, 1 Scolmore Park, Landsberg, Lichfield Road Ind. Estate, Tamworth, Staffordshire, B79 7XB

Telephone: 01827 63454

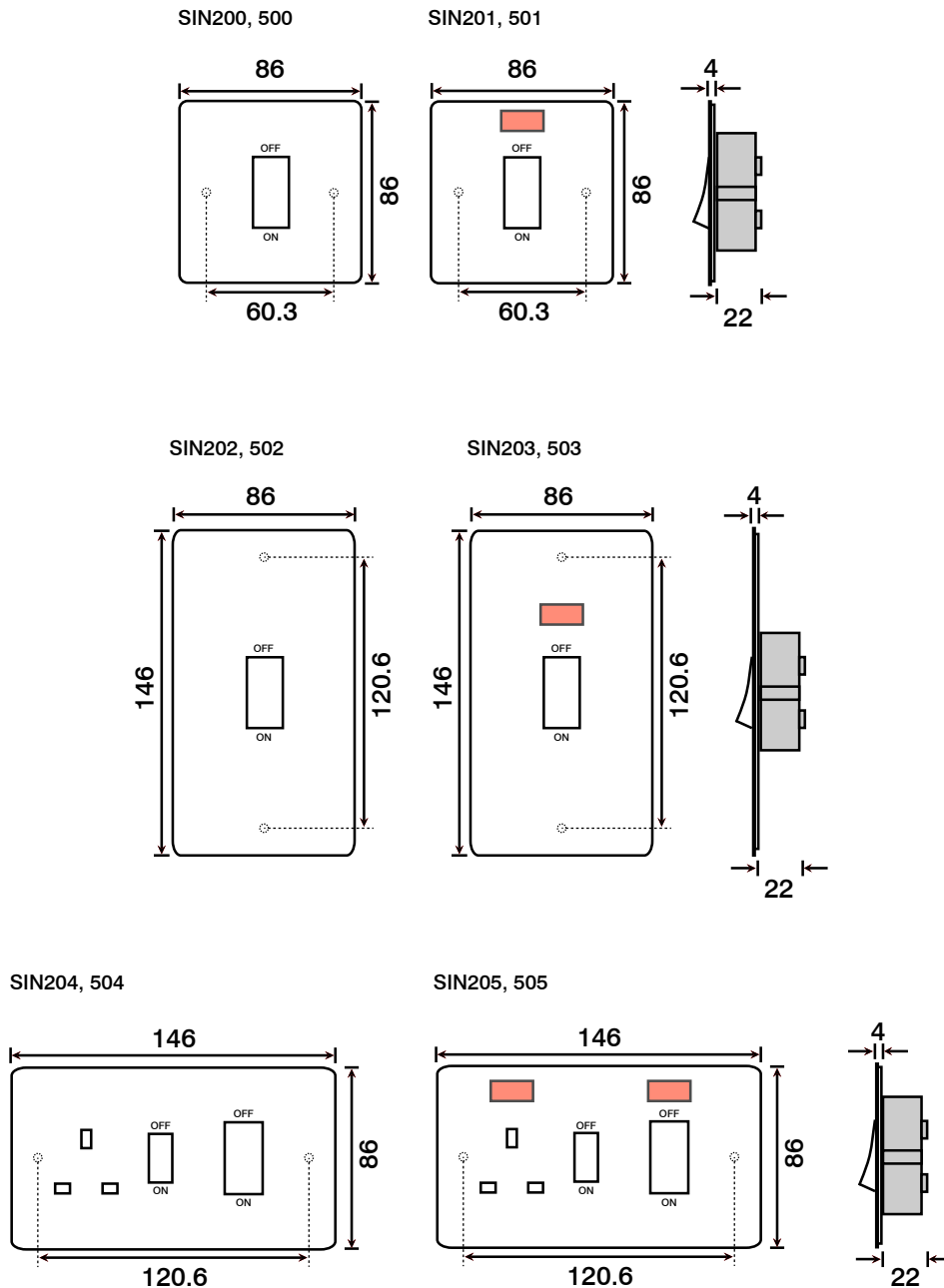
E-mail: sales@scolmore.com, technical@scolmore.com

Facsimile: 01827 63362

Website: www.scolmore.com

45A Cooker Switches & Socket Outlets

Product Dimensional Drawings (mm)



Errors & Omissions excluded. Specification is subject to change without notice.

V1.0

Scolmore International Ltd, 1 Scolmore Park, Landsberg, Lichfield Road Ind. Estate, Tamworth, Staffordshire, B79 7XB

Telephone: 01827 63454

E-mail: sales@scolmore.com, technical@scolmore.com

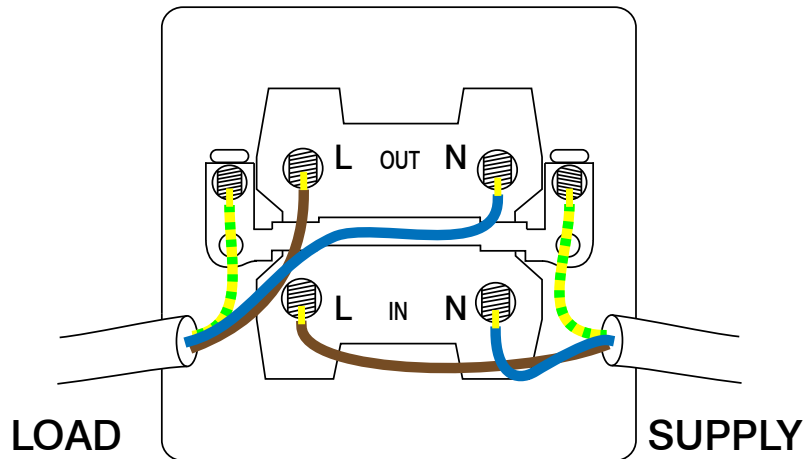
Facsimile: 01827 63362

Website: www.scolmore.com

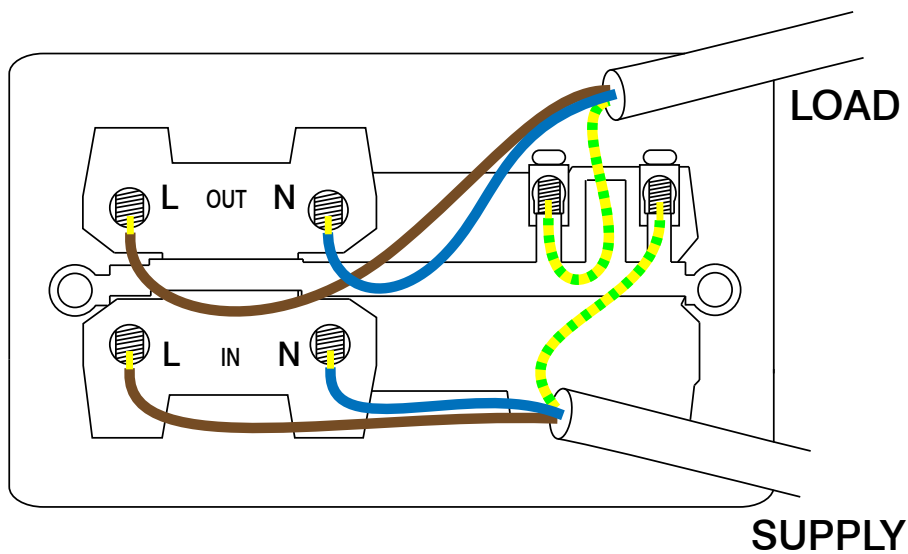
45A Cooker Switches & Socket Outlets

Wiring Diagrams

45A Cooker Switch



45A Cooker Switch with Socket



Errors & Omissions excluded. Specification is subject to change without notice.

V1.0

Scolmore International Ltd, 1 Scolmore Park, Landsberg, Lichfield Road Ind. Estate, Tamworth, Staffordshire, B79 7XB

Telephone: 01827 63454

E-mail: sales@scolmore.com, technical@scolmore.com

Facsimile: 01827 63362

Website: www.scolmore.com

45A Cooker Switches & Socket Outlets

Technical Specification

45A Cooker Switches & Socket Outlets

Material Composition	Insert: Polycarbonate
	Rear Housing: Urea
	Terminals: Brass
	Earth Strap: Mild Steel
	Terminal Screws: Steel & Yellow Passivated
	Silver “on-lay” Copper / Brass Contacts
	Cover Plate: Coated Stainless Steel or Polycarbonate (PW & BK)
Voltage	240V~ 50Hz
Current Rating	45A
Terminal Size	6.5mm ø
Torque Value	2.5Nm
Cable Size	4 x 4mm ² , 3 x 6mm ² or 1 x 10mm ²
Double Pole	Yes
Twin Earth	Yes
Back Box Depth	35mm - 47mm
Warranty	10 Years
IP Rating	IP20
Operational Temperature	-5° to +40°C
Standards	The Low Voltage Directive 2006/95/EC
	EN 60669-1:1999 + A1:2002 + A2:2008 (BS EN 60669-1:2000)
	BS 4177:1992
	BS 1363-2:1995 + A4 : 2012

Additional Information

Ensure that the mains supply is isolated before commencing installation and refer to the circuit diagram with the relevant product.

Bare earth cables must always be covered with appropriate sleeving and wired to the earth terminal.

DECLARATION OF CONFORMITY

1. *Issuer Name* Scolmore International Limited
2. *Issuer Address* 1 Scolmore Park, Landsberg,
Lichfield Road Industrial Estate,
Tamworth, Staffordshire, B79 7XB
3. *Object(s) of Declaration* Definity Range
- a. *Group* 45A Switches & 45A Cooker Control Units
- b. *Model No.* SIN200, SIN201, SIN202, SIN203, SIN204, SIN205, SIN500, SIN501,
SIN502, SIN503, SIN504, SIN505

4. *The object of the declaration described above is in conformity with the requirements of the following Legislations:*

Document No	Title
2006/95/EC	Low Voltage Directive

5. *All products contained within the aforementioned comply with the relevant standards and requirements listed below.*

BS EN 60669-1 : 1999 + A1 : 2002 + A2 : 2008 (BS EN 60669-1 : 2000)
BS 4177: 1992 + AMD 1:1993, 2:1997, 3:2004, 4 : 2007
BS 1363-2 : 1995 + A4 : 2012

6. *I hereby declare that the equipment named above has been designed to comply with the relevant sections of the above referenced specifications. The unit complies with all applicable Essential Requirements of the Directives.*

In conjunction with the above all manufacture and process controls are in accordance with ISO 9001:2008

Signed, for and on behalf of: Scolmore International Limited



Steven Bettson BSc - Senior Technical Support Engineer

CE 13