



## *Plate Switches (Modular)*



The smooth modern lines of the Definity accessory plate will fit easily into traditional and contemporary designs alike.

Definity Screwless switches are developed largely as a modular range based on the large selection of switch modules available in the CLICK MINIGRID Module range. Simple, single screw fixing of modules offers the simplest possible means of installing and replacing modules.

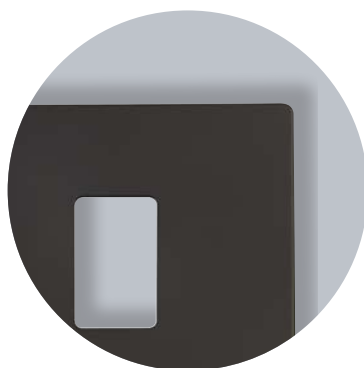
**10AX Plate Switches (Modular)**

**Product Range**

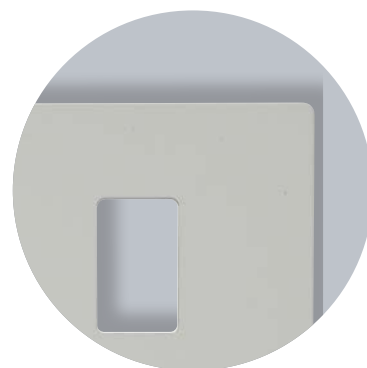
**Finish Comparison**



Brushed Steel (BS)



Matt Black (BK)



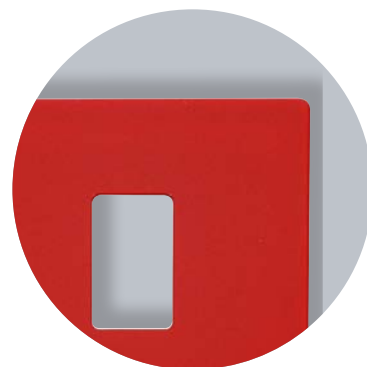
Polar White (PW)



Polished Chrome (CH)



Stainless Steel (SS)



Red (RD)

**10AX Plate Switches (Modular)**

**Product Range**

**10AX Plate Switch Inserts (Modular)**

<b>SIN011**</b>	10AX 1 Gang 2 Way Switch Insert
<b>SIN012**</b>	10AX 2 Gang 2 Way Switch Insert
<b>SIN013**</b>	10AX 3 Gang 2 Way Switch Insert
<b>SIN019**</b>	10AX 4 Gang 2 Way Switch Insert
<b>SIN105**</b>	10AX 6 Gang 2 Way Switch Insert
<b>SIN025**</b>	10AX Intermediate Switch Insert



SIN011PW SIN025PW



SIN012BK



SIN013PW



SIN019BK



SIN105PW

Errors & Omissions excluded. Specification is subject to change without notice. \*\* Denotes Insert Colour

## 10AX Plate Switches (Modular)

### Product Range

#### 'Ingot' 10AX Plate Switch Inserts (Modular)

<b>SIN411**##</b>	10AX 1 Gang 2 Way Switch Insert
<b>SIN412**##</b>	10AX 2 Gang 2 Way Switch Insert
<b>SIN413**##</b>	10AX 3 Gang 2 Way Switch Insert
<b>SIN414**##</b>	10AX 4 Gang 2 Way Switch Insert
<b>SIN416**##</b>	10AX 6 Gang 2 Way Switch Insert
<b>SIN425**##</b>	10AX Intermediate Switch Insert



SIN411PWBS SIN425PWBS



SIN412BKCH



SIN413PWSS



SIN414BKBS



SIN416PWCH

**10AX Plate Switches (Modular)**

**Product Range**

**10AX Plate Switch Cover Plates**

<b>SCP401##</b>	10AX 1 Gang 2 Way Switch Cover Plate
<b>SCP402##</b>	10AX 2 Gang 2 Way Switch Cover Plate
<b>SCP403##</b>	10AX 3 Gang 2 Way Switch Cover Plate
<b>SCP404##</b>	10AX 4 Gang 2 Way Switch Cover Plate
<b>SCP406##</b>	10AX 6 Gang 2 Way Switch Cover Plate
<b>SCP401##</b>	10AX Intermediate Switch Cover Plate



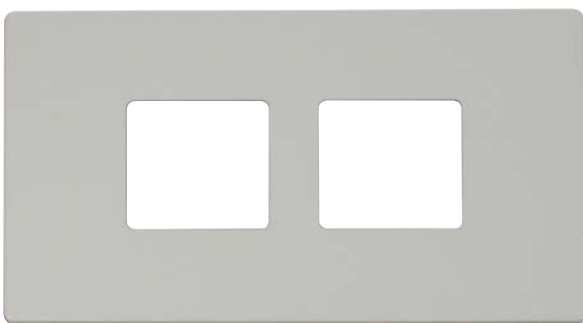
SCP401BS



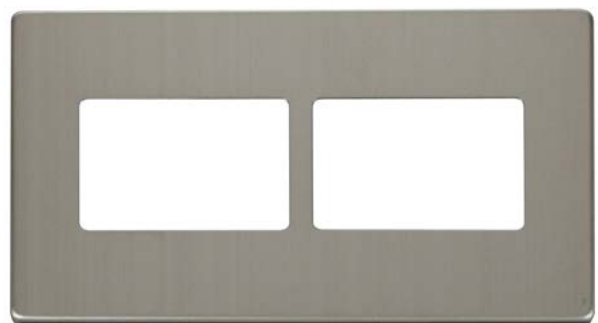
SCP402CH



SCP403BK



SCP404PW

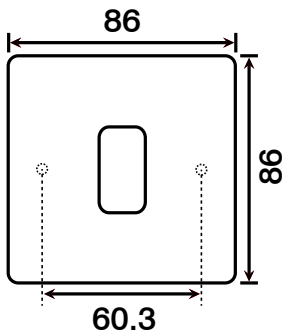


SIN406SS

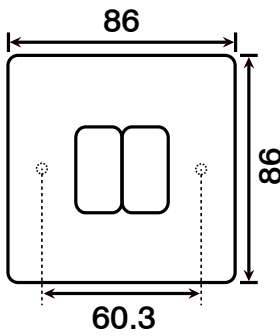
**10AX Plate Switches (Modular)**

**Product Dimensional Drawings (mm)**

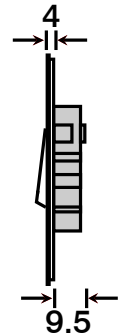
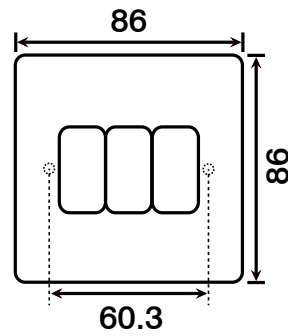
SIN011, 025, 411, 425



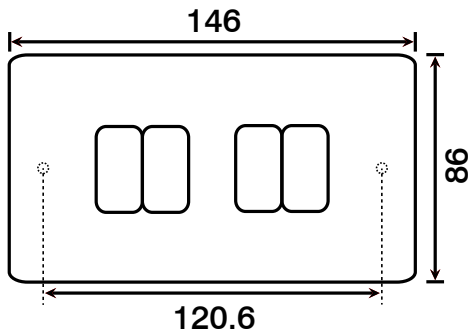
SIN012, 412



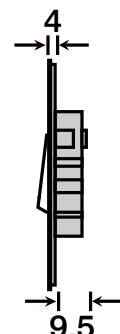
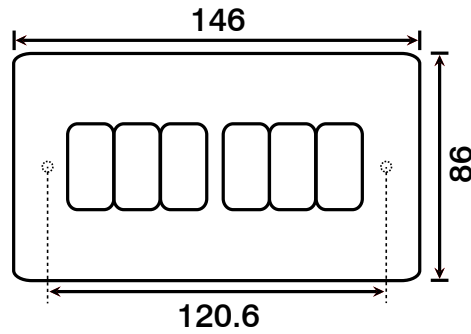
SIN013, 413



SIN019, 414



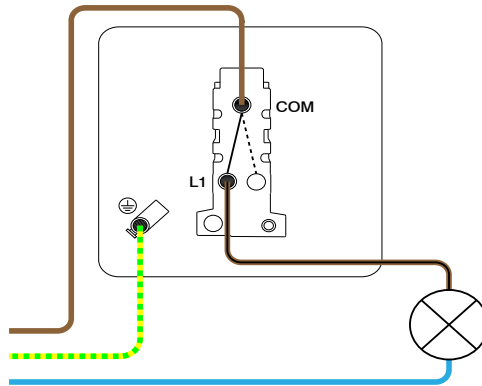
SIN105, 416



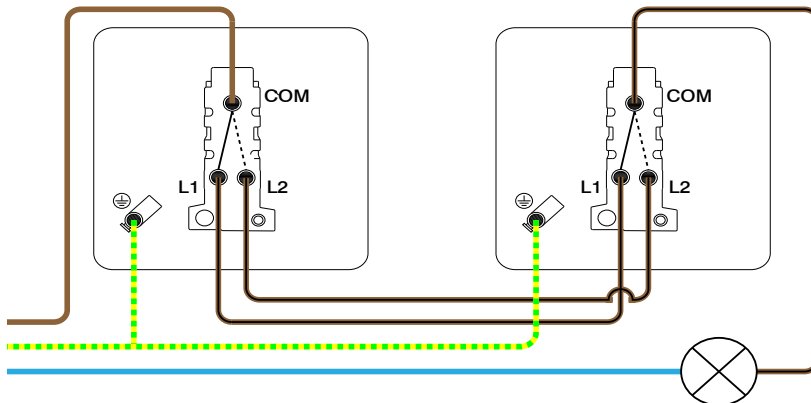
**10AX Plate Switches (Modular)**

**Wiring Diagrams**

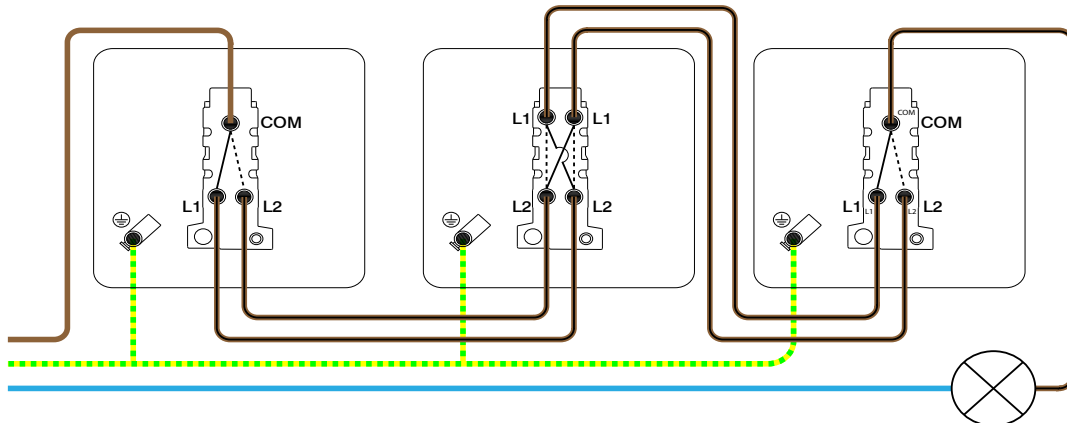
**1 Way Switched Circuit**



**2 Way Switched Circuit**



**Intermediate Switched Circuit**



Errors & Omissions excluded. Specification is subject to change without notice.

V1.0

Scolmore International Ltd, 1 Scolmore Park, Landsberg, Lichfield Road Ind. Estate, Tamworth, Staffordshire, B79 7XB

**Telephone:** 01827 63454

**E-mail:** sales@scolmore.com, technical@scolmore.com

**Facsimile:** 01827 63362

**Website:** www.scolmore.com

## 10AX Plate Switches (Modular)

### Technical Specification

#### 10AX Plate Switches (Modular)

<b>Material Composition</b>	Insert: Polycarbonate
	Rear Housing: Nylon
	Terminals: Brass
	Earth Strap: Mild Steel
	Terminal Screws: Steel & Yellow Passivated
	Silver “on-lay” Copper / Brass Contacts
	Cover Plate: Coated Stainless Steel or Polycarbonate (PW & BK)
<b>Voltage</b>	240V~ 50Hz
<b>Current Rating</b>	10AX (suitable for inductive loads)
<b>Terminal Size</b>	3.5mm ø
<b>Torque Value</b>	0.4Nm
<b>Cable Size</b>	4 x 1.5mm <sup>2</sup> or 2 x 2.5mm <sup>2</sup>
<b>Back Box Depth</b>	25mm - 47mm
<b>Modular</b>	Yes
<b>Warranty</b>	10 Years
<b>IP Rating</b>	IP20
<b>Operational Temperature</b>	-5° to +40°C
<b>Standards</b>	The Low Voltage Directive 2006/95/EC BS EN 60669-1:1999 + A1:2002 + A2:2008

### Additional Information

Ensure that the mains supply is isolated before commencing installation and refer to the circuit diagram with the relevant product.

Bare earth cables must always be covered with appropriate sleeving and wired to the earth terminal.

Interchangeable with switches in the MINIGRID system.





## DECLARATION OF CONFORMITY

1. *Issuer Name* Scolmore International Limited
2. *Issuer Address* 1 Scolmore Park, Landsberg,  
Lichfield Road Industrial Estate,  
Tamworth, Staffordshire, B79 7XB
3. *Object(s) of Declaration* Definity Range
- a. *Group* Switches
- b. *Model No.* SIN011, SIN012, SIN013, SIN019, SIN105, SIN025, SIN411, SIN412,  
SIN413, SIN414, SIN416, SIN425

4. *The object of the declaration described above is in conformity with the requirements of the following Legislations:*

Document No	Title
2006/95/EC	Low Voltage Directive

5. *All products contained within the aforementioned comply with the relevant standards and requirements listed below.*

EN 60669-1:1999 + A1:2002 + A2:2008

6. *I hereby declare that the equipment named above has been designed to comply with the relevant sections of the above referenced specifications. The unit complies with all applicable Essential Requirements of the Directives.*

*In conjunction with the above all manufacture and process controls are in accordance with ISO 9001:2008*

Signed, for and on behalf of: Scolmore International Limited



Steven Bettson BSc - Senior Technical Support Engineer

# CE 13