



10A 3 Pole Fan Isolation Switch



The smooth modern lines of the Definity accessory plate will fit easily into traditional and contemporary designs alike.

Definity Screwless Fan Isolation Switches, offer a safe and effective method of isolating fan units for work to be carried out in areas where there is little or no natural light. For example, lighting circuits may need to remain live whilst maintenance work is carried out in safety.

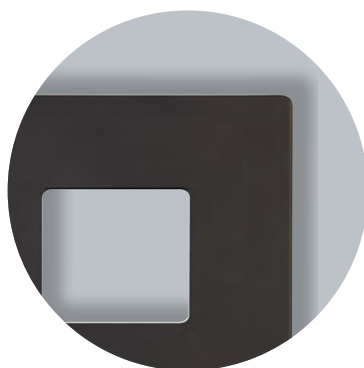
10A 3 Pole Fan Isolation Switches

Product Range

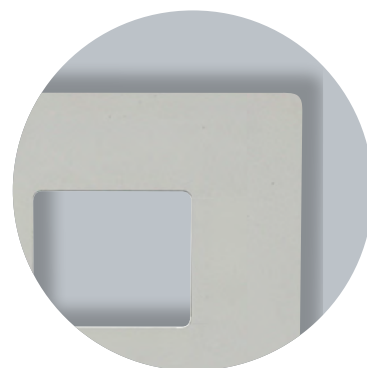
Finish Comparison



Brushed Steel (BS)



Matt Black (BK)



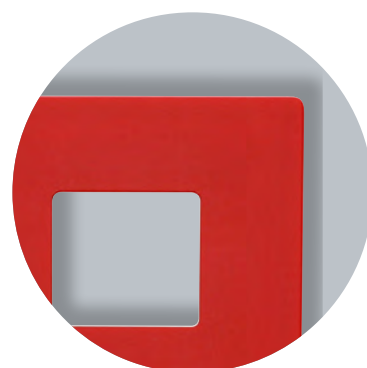
Polar White (PW)



Polished Chrome (CH)



Stainless Steel (SS)



Red (RD)

10A 3 Pole Fan Isolation Switches

Product Range

3 Pole Fan Isolation Switch Insert

SIN020** 10A 3 Pole Fan Isolation Switch Insert

3 Pole Fan Isolation Switch Cover Plate

SCP402## 10A 3 Pole Fan Isolation Switch Cover Plate

3 Pole Fan Isolation Switch & Fused Connection Module (via MiniGrid)

SIN404** 2 Gang Quad Aperture Plate Insert

SCP404## 2 Gang Quad Aperture Cover Plate

MD020## 10A Twin Width 3 Pole Fan Isolation Switch Module

MD047## Fused Connection Unit Module



SIN020BK



SCP402PW



SIN404PW



MD020PW



MD047PW



MD047PW

Errors & Omissions excluded. Specification is subject to change without notice. ** Denotes Insert Colour, ## Denotes Cover Plate or Module Finish

V1.0

Scolmore International Ltd, 1 Scolmore Park, Landsberg, Lichfield Road Ind. Estate, Tamworth, Staffordshire, B79 7XB

Telephone: 01827 63454

E-mail: sales@scolmore.com, technical@scolmore.com

Facsimile: 01827 63362

Website: www.scolmore.com

10A 3 Pole Fan Isolation Switches

Product Range

'Ingot' 3 Pole Fan Isolation Switch Insert

SIN520##** 10A 3 Pole Fan Isolation Switch Insert

3 Pole Fan Isolation Switch Cover Plate

SCP402## 10A 3 Pole Fan Isolation Switch Cover Plate

3 Pole Fan Isolation Switch & Fused Connection Module (via MiniGrid)

SIN404** 2 Gang Quad Aperture Plate Insert

SCP404## 2 Gang Quad Aperture Cover Plate

MD020## 10A Twin Width 3 Pole Fan Isolation Switch Module

MD047## Fused Connection Unit Module



SIN520BKCH



SCP402CH



SIN404BK



MD020CH



MD047CH



MD047CH

Errors & Omissions excluded. Specification is subject to change without notice. ** Denotes Insert Colour, ## Denotes Cover Plate or Module Finish

V1.0

Scolmore International Ltd, 1 Scolmore Park, Landsberg, Lichfield Road Ind. Estate, Tamworth, Staffordshire, B79 7XB

Telephone: 01827 63454

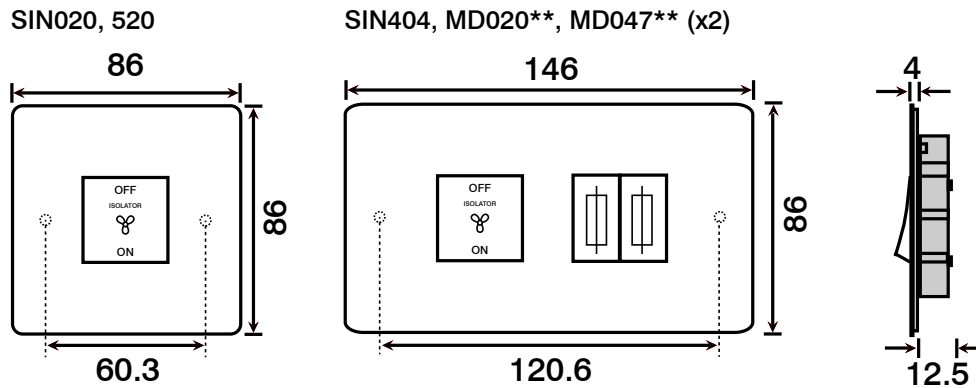
E-mail: sales@scolmore.com, technical@scolmore.com

Facsimile: 01827 63362

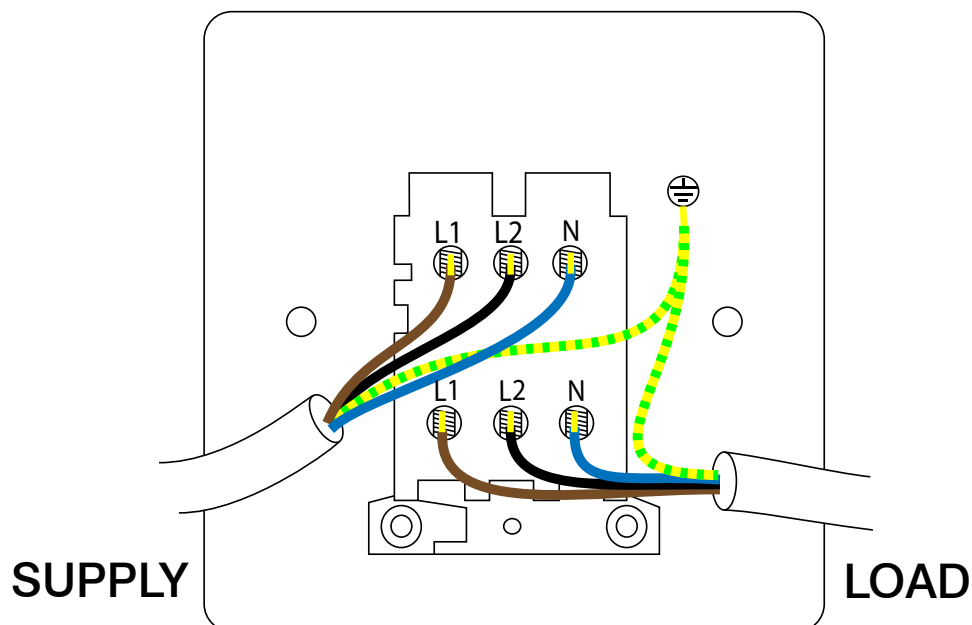
Website: www.scolmore.com

10A 3 Pole Fan Isolation Switches

Product Dimensional Drawings (mm)



Product Wiring Diagram



10A 3 Pole Fan Isolation Switches

Technical Specification

10A 3 Pole Fan Isolation Switches

Material Composition	Insert: Polycarbonate
	Rear Housing: Nylon
	Terminals: Brass
	Earth Strap: Mild Steel
	Terminal Screws: Steel & Yellow Passivated
	Silver “on-lay” Copper / Brass Contacts
	Cover Plate: Coated Stainless Steel or Polycarbonate (PW & BK)
Voltage	240V~ 50Hz
Current Rating	10A
Terminal Size	3.5mm ø
Torque Value	0.4Nm
Cable Size	1 x 2.5mm ² , 2 x 1.5mm ²
Back Box Depth	25mm - 47mm
Warranty	10 Years
IP Rating	IP20
Operational Temperature	-5° to +40°C
Standards	The Low Voltage Directive 2006/95/EC
	EN 60669-2-4:2005
	EN 60669-1:1999+A1:2002+A2:2008

Additional Information

Ensure that the mains supply is isolated before commencing installation and refer to the circuit diagram with the relevant product.

Bare earth cables must always be covered with appropriate sleeving and wired to the earth terminal.

DECLARATION OF CONFORMITY

1. *Issuer Name* Scolmore International Limited
2. *Issuer Address* 1 Scolmore Park, Landsberg,
Lichfield Road Industrial Estate,
Tamworth, Staffordshire, B79 7XB
3. *Object(s) of Declaration* Definity Range
- a. *Group* Fan Isolation Switches
- b. *Model No.* SIN020, SIN520
4. *The object of the declaration described above is in conformity with the requirements of the following Legislations:*
- | Document No | Title |
|-------------|-----------------------|
| 2006/95/EC | Low Voltage Directive |

5. *All products contained within the aforementioned comply with the relevant standards and requirements listed below.*

EN 60669-1:1999 + A1:2002 + A2:2008
EN 60669-2-4 : 2005

6. *I hereby declare that the equipment named above has been designed to comply with the relevant sections of the above referenced specifications. The unit complies with all applicable Essential Requirements of the Directives.*

In conjunction with the above all manufacture and process controls are in accordance with ISO 9001:2008

Signed, for and on behalf of: Scolmore International Limited



Steven Bettson BSc - Senior Technical Support Engineer

