



## *Telephone and Data Sockets*



The smooth modern lines of the Definity accessory plate will fit easily into traditional and contemporary designs alike.

Definity Screwless Telephone and Data sockets are designed to fit effortlessly with the range, with simple installation to enhance the décor of any area.

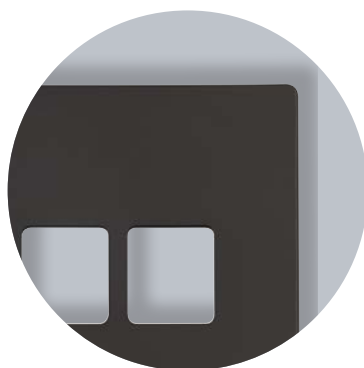
**Telephone and Data Sockets**

**Product Range**

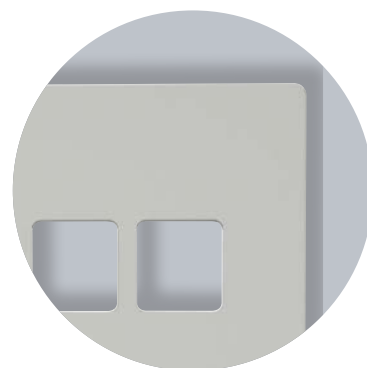
**Finish Comparison**



Brushed Steel (BS)



Matt Black (BK)



Polar White (PW)



Polished Chrome (CH)



Stainless Steel (SS)

## Telephone and Data Sockets

### Product Range

#### UK Telephone Outlet Inserts

<b>SIN120**</b>	Single Telephone Outlet - Master Insert
<b>SIN121**</b>	Twin Telephone Outlet - Master Insert
<b>SIN125**</b>	Single Telephone Outlet - Secondary Insert
<b>SIN126**</b>	Twin Telephone Outlet - Secondary Insert

#### RJ11 Outlet Insert

<b>SIN115**</b>	RJ11 (Irish/US) Outlet Insert
-----------------	-------------------------------



SIN115PW



SIN120BK



SIN121PW



SIN125PW



SIN126BK

Errors & Omissions excluded. Specification is subject to change without notice. \*\* Denotes Insert Colour

V1.0

Scolmore International Ltd, 1 Scolmore Park, Landsberg, Lichfield Road Ind. Estate, Tamworth, Staffordshire, B79 7XB

**Telephone:** 01827 63454

**E-mail:** sales@scolmore.com, technical@scolmore.com

**Facsimile:** 01827 63362

**Website:** www.scolmore.com

**Telephone and Data Sockets**

**Product Range**

**UK Telephone Outlet Cover Plates**

<b>SCP120##</b>	Single Telephone Outlet - Master Cover Plate
<b>SCP121##</b>	Twin Telephone Outlet - Master Cover Plate
<b>SCP125##</b>	Single Telephone Outlet - Secondary Cover Plate
<b>SCP126##</b>	Twin Telephone Outlet - Secondary Cover Plate

**RJ11 Outlet Cover Plate**

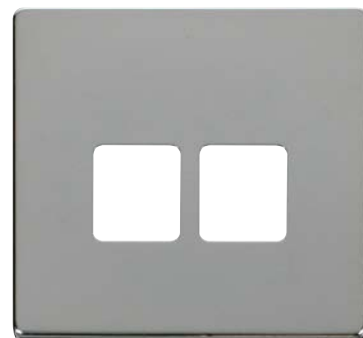
<b>SCP115##</b>	RJ11 (Irish/US) Outlet Cover Plate
-----------------	------------------------------------



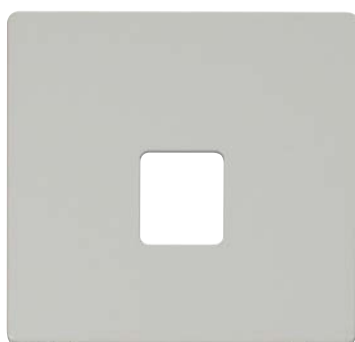
SCP115BS



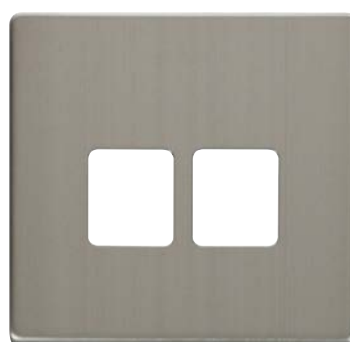
SCP120BK



SCP121CH



SCP120PW



SCP121SS

Errors & Omissions excluded. Specification is subject to change without notice. ## Denotes Cover Plate Finish

V1.0

Scolmore International Ltd, 1 Scolmore Park, Landsberg, Lichfield Road Ind. Estate, Tamworth, Staffordshire, B79 7XB

**Telephone:** 01827 63454

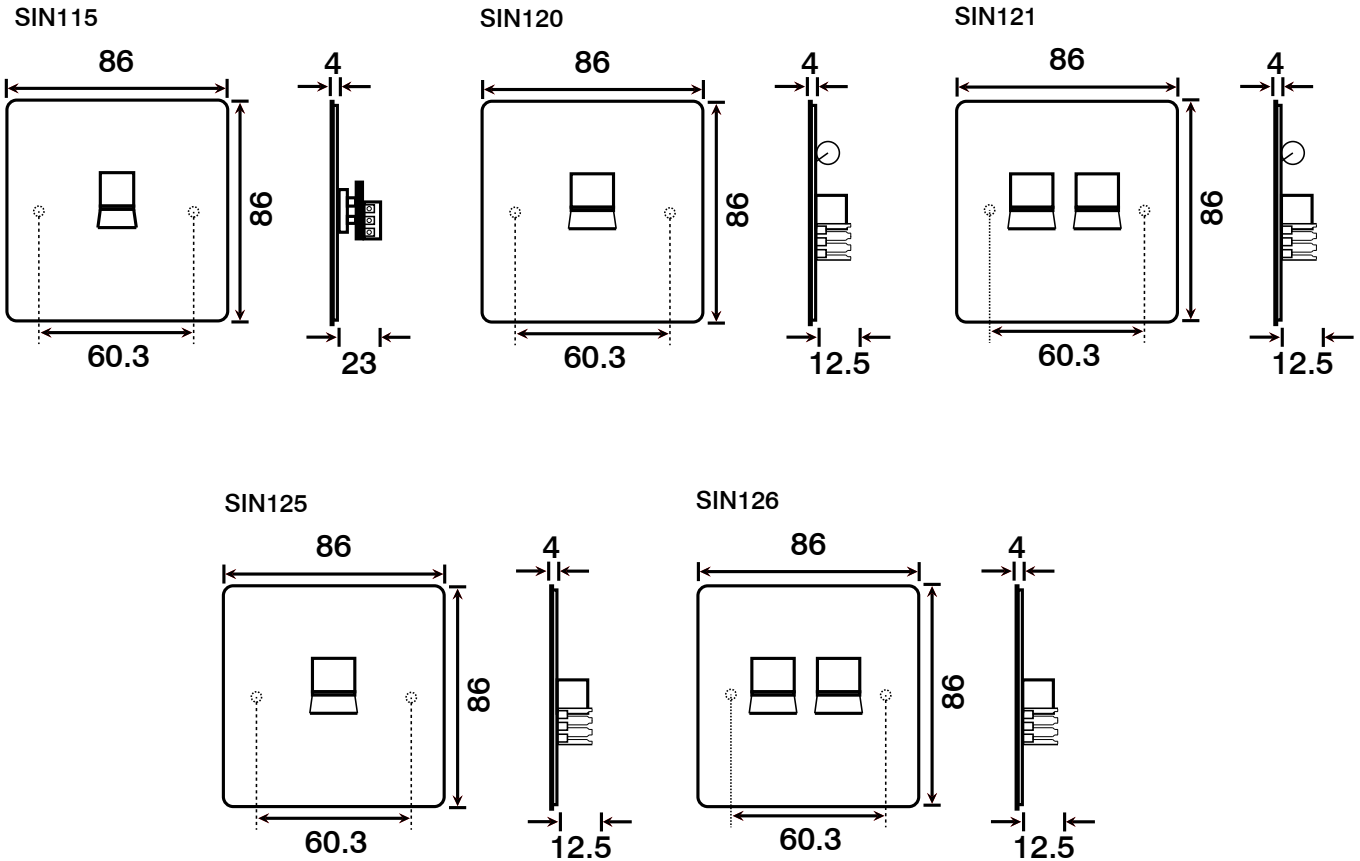
**E-mail:** sales@scolmore.com, technical@scolmore.com

**Facsimile:** 01827 63362

**Website:** www.scolmore.com

**Telephone and Data Sockets**

**Product Dimensional Drawings (mm)**



Errors & Omissions excluded. Specification is subject to change without notice.

V1.0

Scolmore International Ltd, 1 Scolmore Park, Landsberg, Lichfield Road Ind. Estate, Tamworth, Staffordshire, B79 7XB

**Telephone:** 01827 63454

**E-mail:** sales@scolmore.com, technical@scolmore.com

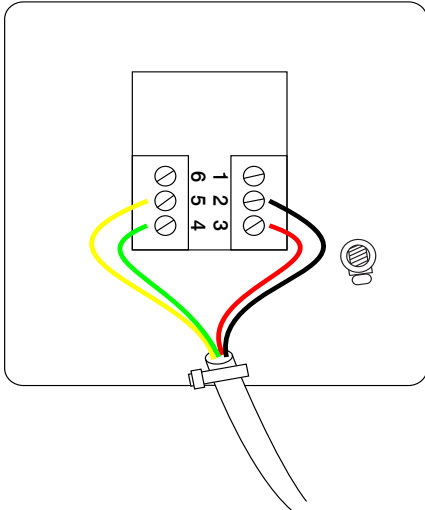
**Facsimile:** 01827 63362

**Website:** www.scolmore.com

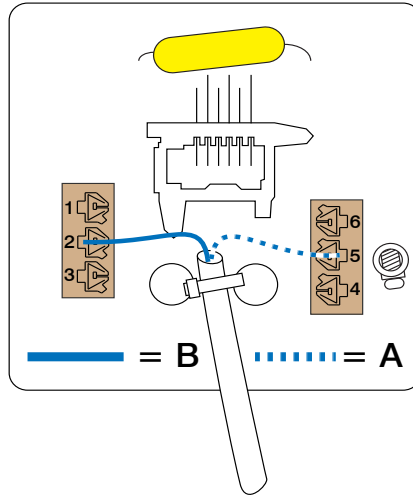
**Telephone and Data Sockets**

**Wiring Diagrams**

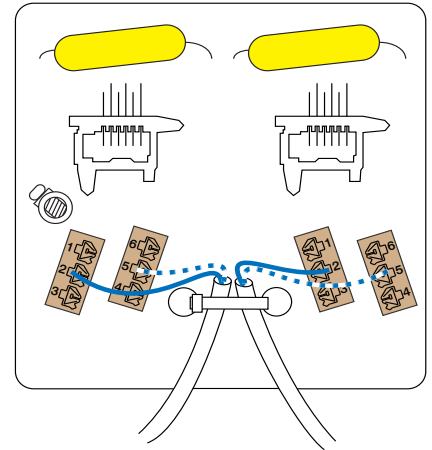
SIN115



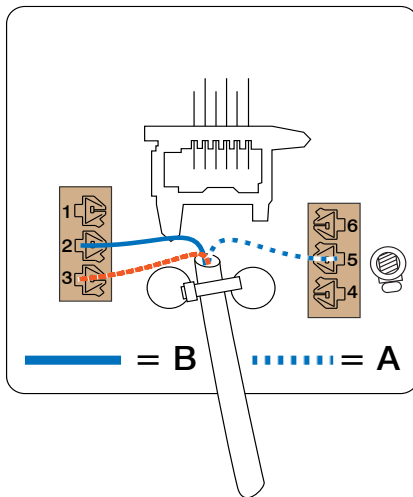
SIN120



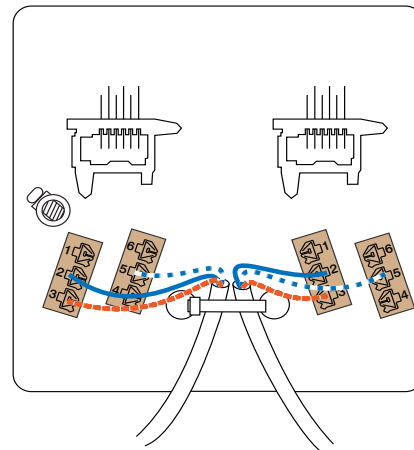
SIN121



SIN125



SIN126



## Telephone and Data Sockets

### Technical Specification

#### Telephone and Data Sockets

<b>Material Composition</b>	Insert: Polycarbonate Cover Plate: Coated Stainless Steel or Polycarbonate (PW & BK)
<b>Connection Types</b>	RJ11 Socket - Screw Terminals Telephone Sockets - IDC
<b>Back Box Depth</b>	25mm - 47mm
<b>Warranty</b>	10 Years
<b>IP Rating</b>	IP20
<b>Operational Temperature</b>	-5° to +40°C
<b>Standards</b>	The Low Voltage Directive 2006/95/EC BS 6312-2-2:1997 (where applicable) BS EN 50173-1:2011 (where applicable) BS 5733:1995 (where applicable)

#### Additional Information

Ensure that the mains supply is isolated before commencing installation and refer to the circuit diagram with the relevant product.

Bare earth cables must always be covered with appropriate sleeving and wired to the earth terminal.

**Scolmore International Ltd**

1 Scolmore Park: Landsberg  
Lichfield Road Industrial Estate  
Tamworth, Staffordshire B79 7XB

t: 01827 63454

f: 01827 63362

e: sales@scolmore.com

w: www.scolmore.com

## DECLARATION OF CONFORMITY

1. *Issuer Name* Scolmore International Limited
2. *Issuer Address* 1 Scolmore Park, Landsberg,  
Lichfield Road Industrial Estate,  
Tamworth, Staffordshire, B79 7XB
3. *Object(s) of Declaration* Definity Range
- a. *Group* Telephone & Data Socket Outlets
- b. *Model No.* SIN115, SIN120, SIN121, SIN125, SIN126
4. *The object of the declaration described above is in conformity with the requirements of the following Legislations:*

Document No	Title
2006/95/EC	Low Voltage Directive

5. *All products contained within the aforementioned comply with the relevant standards and requirements listed below.*

BS 6312-2-2 : 1997 (where applicable)

BS EN 50173-1 : 2011 (where applicable)

BS 5733 : 1995 (where applicable)

6. *I hereby declare that the equipment named above has been designed to comply with the relevant sections of the above referenced specifications. The unit complies with all applicable Essential Requirements of the Directives.*

*In conjunction with the above all manufacture and process controls are in accordance with ISO 9001:2008*

Signed, for and on behalf of: Scolmore International Limited



Steven Bettson BSc - Senior Technical Support Engineer

# CE 13