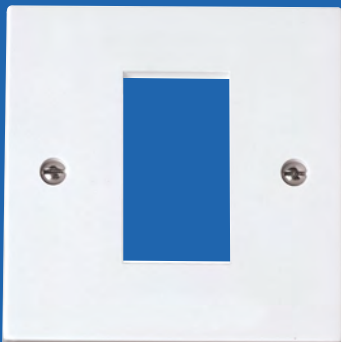




## ***New Media Modular Plates (Unfurnished)***



The smooth modern lines of the Polar accessory plate will fit easily into traditional and contemporary designs alike.

Polar New Media modular plates produce a comprehensive yet flexible and user friendly 'system' which enables the installer to easily create topical media and power cabling solutions using any combination of our 25mm x 50mm or 50mm x 50mm media modules.

**New Media Modular Plates (Unfurnished)**

**Product Range**

**New Media Modular Plates (Unfurnished)**

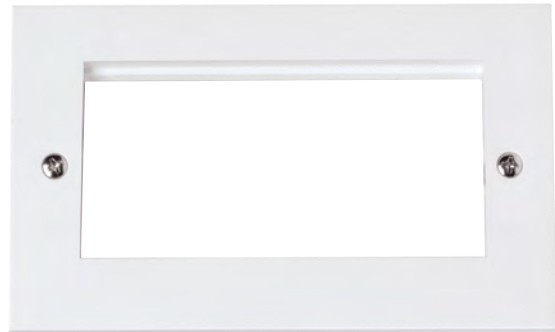
<b>PRW310</b>	1 Gang Plate Single Aperture
<b>PRW311</b>	1 Gang Plate Twin Aperture
<b>PRW312</b>	2 Gang Plate Quad Aperture



PRW310

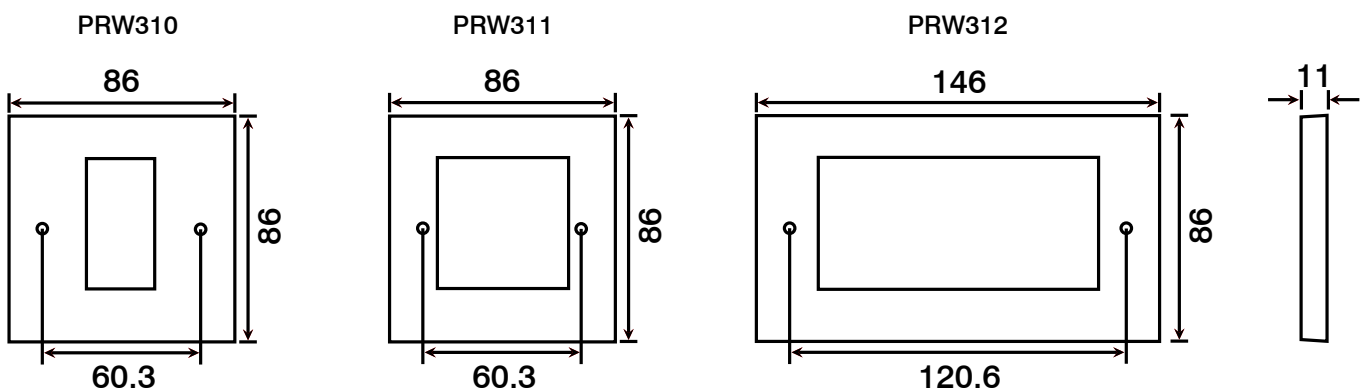


PRW311



PRW312

**Product Dimensional Drawings (mm)**



## New Media Modular Plates (Unfurnished)

### Technical Specification

#### New Media Modular Plates (Unfurnished)

<b>Material Composition</b>	Front Plate: Urea
<b>Cable Size</b>	Dependent on modules fitted
<b>Back Box Depth</b>	Dependent on modules fitted
<b>Modular</b>	Yes
<b>Warranty</b>	20 Years
<b>Anti Microbial Certified</b>	Yes
<b>IP Rating</b>	IP20
<b>Operational Temperature</b>	-5° to +40°C
<b>Standards</b>	BS 5733 : 2010 + A1 : 2014 Modified ISO 22196

### Additional Information

Ensure that the mains supply is isolated before commencing installation and refer to the circuit diagram with the relevant product.

Bare earth cables must always be covered with appropriate sleeving and wired to the earth terminal.

All white moulded accessories are manufactured using Urea Formaldehyde, which has similar inherent properties to antimicrobial additives that inhibit the growth of infectious diseases. All products were independently tested and achieved a 99.9% kill rate across all four types of the strains of bacteria - MRSA, E-Coli, Salmonella, and Klebsiella Pneumoniae.

Interchangeable with modules in the New Media system





**DECLARATION OF CONFORMITY**

1. *Issuer Name* Scolmore International Limited
2. *Issuer Address* 1 Scolmore Park, Landsberg,  
Lichfield Road Industrial Estate,  
Tamworth, Staffordshire, B79 7XB
3. *Object(s) of Declaration* Polar Range
  - a. *Group* New Media Modular Plates (Unfurnished)
  - b. *Model No.* PRW310, PRW311, PRW312
4. *The object of the declaration described above is in conformity with the requirements of the following Legislations:*
5. *All products contained within the aforementioned comply with the relevant standards and requirements listed below.*

BS 5733 : 2010 + A1 : 2014

6. *I hereby declare that the equipment named above has been designed to comply with the relevant sections of the above referenced specifications. The unit complies with all applicable Essential Requirements of the Directives.*

*In conjunction with the above all manufacture and process controls are in accordance with ISO 9001:2008*

Signed, for and on behalf of: Scolmore International Limited

A handwritten signature in black ink, appearing to read "Bettson".

Steven Bettson BSc - Senior Technical Support Engineer

**CE 15**