



Dimmer Module Mounting Kits



GRIDPRO[®] offers a comprehensive range of modules in multiple finishes to offer ultimate flexibility. The GRIDPRO[®] range will complement your existing Click installation, as the range was specifically designed to seamlessly match our existing ranges of Click[®] accessories.

Dimmer Module Mounting Kits

Product Range

Finish Comparison



Antique Brass (AB)



Polished Brass (BR)



Black (BK)



Polished Chrome (CH)



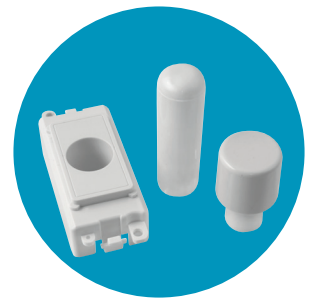
Satin Chrome (SC)



Satin Brass (SB)



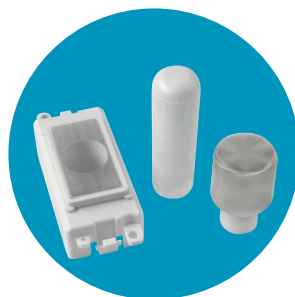
Black Nickel (BN)



Polar White (PW)



Pearl Nickel (PN)



Stainless Steel (SS)



Brushed Steel (BS)

Dimmer Module Mounting Kits

Product Range

Dimmer Module Mounting Kits

GM050##**

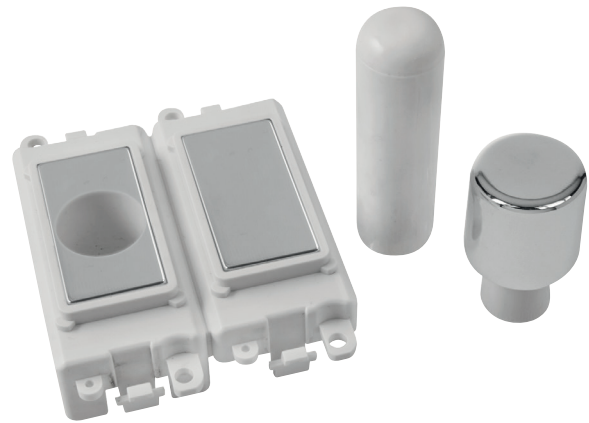
Dimmer Module Mounting Kit (Single Width)

GM150##**

Dimmer Module Mounting Kit (Twin Width)

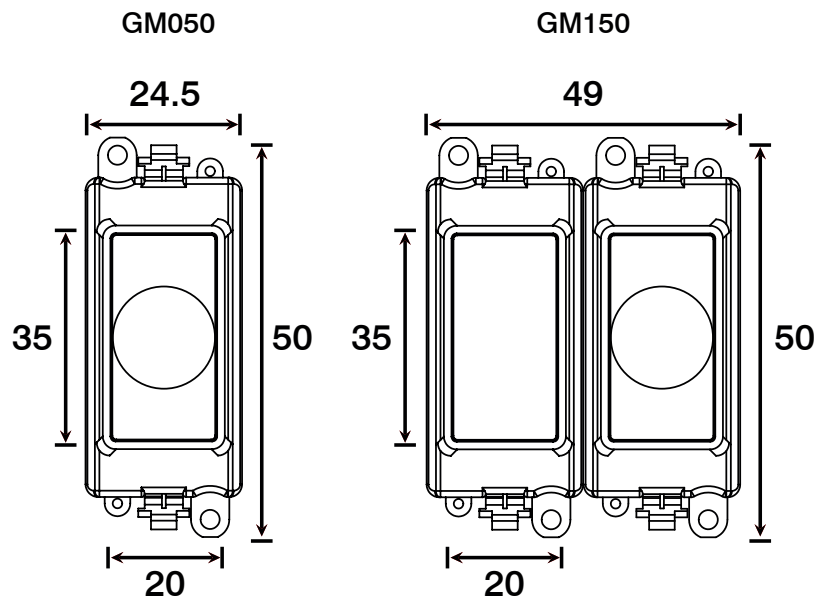


GM050PWCH



GM150PWCH

Product Dimensional Drawings (mm)



Errors & Omissions excluded. Specification is subject to change without notice. ** Denotes Insert Colour, ## Denotes Module Finish. Twin width suitable for 2, 4, 8, 12, 18 and 24 gang plates where the dimmer module exceeds the standard 24.5mm module width.

Dimmer Module Mounting Kits

Technical Specification

Dimmer Module Mounting Kits

Material Composition	Mount Aperture: Nylon or Nylon + Stainless Steel Cover (Ingot)
Back Box Depth	47mm
Modular	Yes
Warranty	10 Years
IP Rating	IP20
Operational Temperature	-5° to +40°C
Standards	BS 5733: 2010

Additional Information

Ensure that the mains supply is isolated before commencing installation and refer to the circuit diagram supplied with the relevant product.

Bare earth cables must always be covered with appropriate sleeving and wired to the earth terminal.



EU DECLARATION OF CONFORMITY

1. *Issuer Name* Scolmore International Limited
2. *Issuer Address* 1 Scolmore Park, Landsberg,
Lichfield Road Industrial Estate,
Tamworth, Staffordshire, B79 7XB
3. *Object(s) of Declaration* GRID PRO Range
 - a. *Group* Dimmer Module Mounting Kits
 - b. *Model No.* GM050, GM150
4. *The object of the declaration described above is in conformity with the requirements of the following Legislations:*
5. *All products contained within the aforementioned comply with the relevant standards and requirements listed below.*

BS 5733: 2010

6. *I hereby declare that the equipment named above has been designed to comply with the relevant sections of the above referenced specifications. The unit complies with all applicable Essential Requirements of the Directives.*

In conjunction with the above all manufacture and process controls are in accordance with ISO 9001:2008.

This declaration has been issued under the sole responsibility of the manufacturer, signed at, for and on behalf of: Scolmore International Limited

Ross Turner - Technical Support Engineer