



## 10A 3 Pole Fan Isolation Switch



The smooth modern lines of the Define accessory plate will fit easily into traditional and contemporary designs alike.

Define flat plate Fan Isolation Switches, offer a safe and effective method of isolating fan units for work to be carried out in areas where there is little or no natural light. For example, lighting circuits may need to remain live whilst maintenance work is carried out in safety.

**10A 3 Pole Fan Isolation Switch**

**Product Range**

**Finish Comparison**



**Brushed Steel (BS)**



**Black Nickel (BN)**



**Pearl Nickel (PN)**



**Polished Chrome (CH)**



**Stainless Steel (SS)**

**10A 3 Pole Fan Isolation Switch**

**Product Range**

**'Ingot' 3 Pole Fan Isolation Switch**

**FP\*\*520##**

'Ingot' 10A 3 Pole Fan Isolation Switch

**3 Pole Fan Isolation Switch & Fused Connection Module (via MiniGrid)**

**FP\*\*404##**

2 Gang Quad Aperture Plate

**MD020\*\***

10A Twin Width 3 Pole Fan Isolation Switch Module

**MD047\*\***

Fused Connection Unit Module



FPBS520BK



VPCH404BK



MD020CH



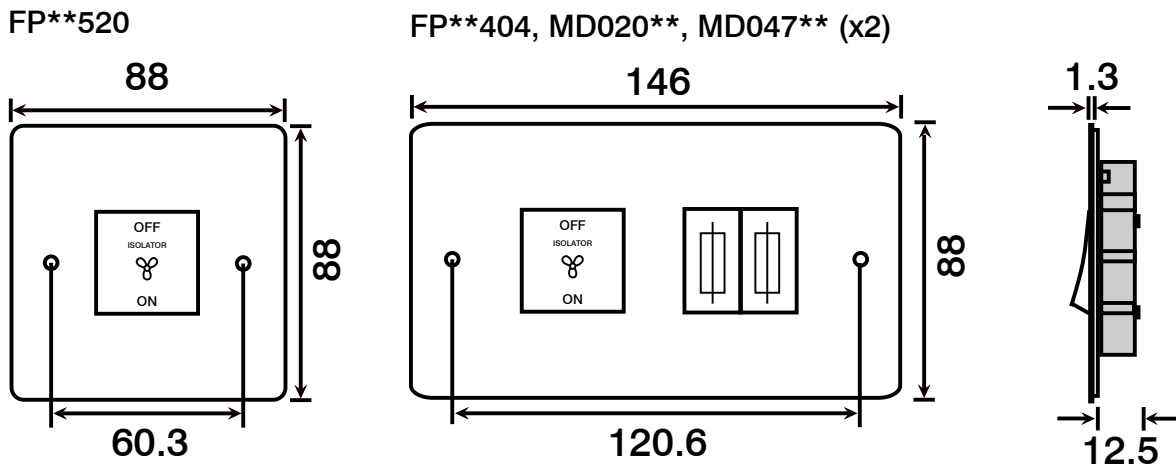
MD047CH



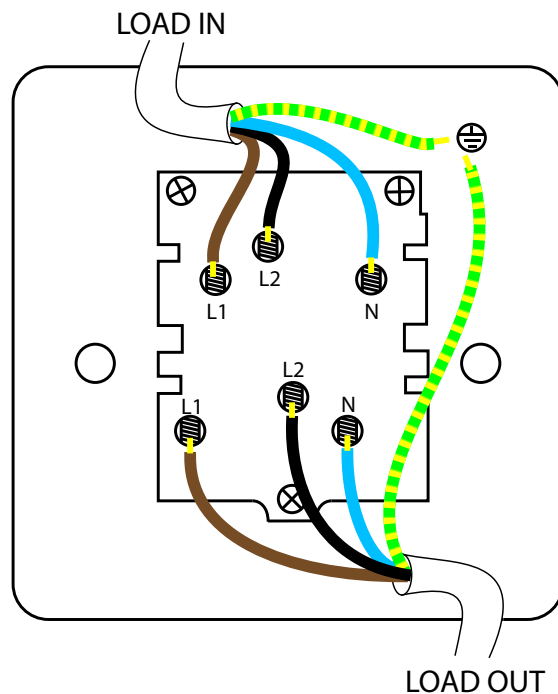
MD047CH

**10A 3 Pole Fan Isolation Switch**

**Product Dimensional Drawings (mm)**



**Product Wiring Diagram**



**10A 3 Pole Fan Isolation Switch****Technical Specification****3 Pole Fan Isolation Switch**

<b>Material Composition</b>	Front Plate: Stainless Steel
	Rear Housing: Nylon
	Terminals: Brass
	Earth Strap: Mild Steel
	Terminal Screws: Steel & Yellow Passivated
	Silver “on-lay” Copper / Brass Contacts
<b>Voltage</b>	240V~ 50Hz
<b>Current Rating</b>	10A
<b>Terminal Size</b>	3.5mm ø
<b>Torque Value</b>	0.4Nm
<b>Cable Size</b>	1 x 2.5mm <sup>2</sup> , 2 x 1.5mm <sup>2</sup>
<b>Back Box Depth</b>	25mm - 47mm
<b>Warranty</b>	10 Years
<b>IP Rating</b>	IP20
<b>Operational Temperature</b>	-5° to +40°C
<b>Standards</b>	The Low Voltage Directive 2006/95/EC
	EN 60669-2-4:2005
	EN 60669-1:1999 + A1:2002 + A2:2008

**Additional Information**

Ensure that the mains supply is isolated before commencing installation and refer to the circuit diagram with the relevant product.

Bare earth cables must always be covered with appropriate sleeving and wired to the earth terminal.

FP\*\*520 are not interchangeable with the MiniGrid System however,

a Fused Fan Isolation Switch can be created using components from the MiniGrid System



## DECLARATION OF CONFORMITY

1. *Issuer Name* Scolmore International Limited
2. *Issuer Address* 1 Scolmore Park, Landsberg,  
Lichfield Road Industrial Estate,  
Tamworth, Staffordshire, B79 7XB
3. *Object(s) of Declaration* Define Range
- a. *Group* Fan Isolation Switch
- b. *Model No.* FP-520
4. *The object of the declaration described above is in conformity with the requirements of the following Legislations:*
- | Document No | Title                 |
|-------------|-----------------------|
| 2006/95/EC  | Low Voltage Directive |

5. *All products contained within the aforementioned comply with the relevant standards and requirements listed below.*

EN 60669-1:1999 + A1:2002 + A2:2008

EN 60669-2-4 : 2005

6. *I hereby declare that the equipment named above has been designed to comply with the relevant sections of the above referenced specifications. The unit complies with all applicable Essential Requirements of the Directives.*

*In conjunction with the above all manufacture and process controls are in accordance with ISO 9001:2008*

Signed, for and on behalf of: Scolmore International Limited



Steven Bettson BSc - Senior Technical Support Engineer

# CE 13