



New Media Modular Plates (Unfurnished)



The smooth modern lines of the Define accessory plate will fit easily into traditional and contemporary designs alike.

Define flat plate New Media modular plates produce a comprehensive yet flexible and user friendly 'system' which enables the installer to easily create topical media and power cabling solutions using any combination of our 25mm x 50mm or 50mm x 50mm media modules.

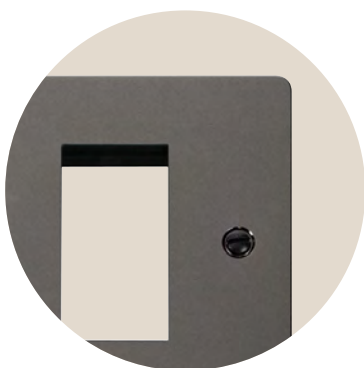
New Media Modular Plates (Unfurnished)

Product Range

Finish Comparison



Brushed Steel (BS)



Black Nickel (BN)



Pearl Nickel (PN)



Polished Chrome (CH)



Stainless Steel (SS)

New Media Modular Plates (Unfurnished)

Product Range

New Media Modular Plates (Unfurnished)

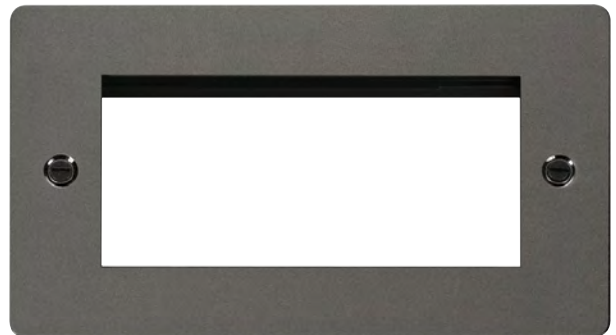
FP**310	1 Gang Plate Single Aperture
FP**311	1 Gang Plate Twin Aperture
FP**312	2 Gang Plate Quad Aperture



FPCH310

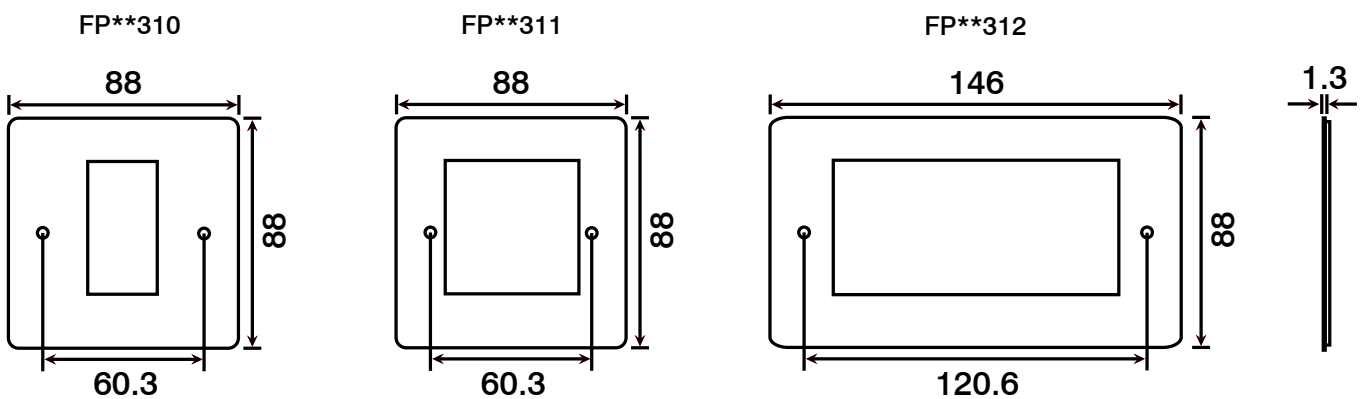


FPBS311



FPBN312

Product Dimensional Drawings (mm)



New Media Modular Plates (Unfurnished)**Technical Specification****New Media Modular Plates (Unfurnished)**

Material Composition	Front Plate: Stainless Steel
	Insert: Urea
	Earth Terminal: Brass
	Earth Strap: Mild Steel
Cable Size	Dependent on modules fitted
Back Box Depth	Dependent on modules fitted
Modular	Yes
Warranty	10 Years
IP Rating	IP20
Operational Temperature	-5° to +40°C
Standards	BS 5733 : 2010 + A1 : 2014

Additional Information

Ensure that the mains supply is isolated before commencing installation and refer to the circuit diagram with the relevant product.

Bare earth cables must always be covered with appropriate sleeving and wired to the earth terminal.

Interchangeable with modules in the New Media system.



DECLARATION OF CONFORMITY

1. *Issuer Name* Scolmore International Limited
2. *Issuer Address* 1 Scolmore Park, Landsberg,
Lichfield Road Industrial Estate,
Tamworth, Staffordshire, B79 7XB
3. *Object(s) of Declaration* Define Range
 - a. *Group* New Media Modular Plates (Unfurnished)
 - b. *Model No.* FP-310, FP-311, FP-312
4. *The object of the declaration described above is in conformity with the requirements of the following Legislations:*
5. *All products contained within the aforementioned comply with the relevant standards and requirements listed below.*

BS 5733 : 2010 + A1 : 2014

6. *I hereby declare that the equipment named above has been designed to comply with the relevant sections of the above referenced specifications. The unit complies with all applicable Essential Requirements of the Directives.*

In conjunction with the above all manufacture and process controls are in accordance with ISO 9001:2008

Signed, for and on behalf of: Scolmore International Limited



Steven Bettson BSc - Senior Technical Support Engineer

CE 15