



Plate Switches (Modular)



The smooth contemporary curves of the Deco Plus range are available in seven finishes to compliment any room.

Deco Plus switches are developed largely as a modular range based on the large selection of switch modules available in the CLICK MINIGRID Module range. Simple, single screw fixing of modules offers the simplest possible means of installing and replacing modules.

10AX Plate Switches (Modular)

Product Range

Finish Comparison



Antique Brass (AB)



Polished Brass (BR)



Polished Chrome (CH)



Satin Chrome (SC)



Satin Brass (SB)



Black Nickel (BN)



Stainless Steel (SS)

10AX Plate Switches (Modular)

Product Range

'Ingot' 10AX Plate Switches (Modular)

DP**411##	'Ingot' 10AX 1 Gang 2 Way Plate Switch
DP**412##	'Ingot' 10AX 2 Gang 2 Way Plate Switch
DP**413##	'Ingot' 10AX 3 Gang 2 Way Plate Switch
DP**414##	'Ingot' 10AX 4 Gang 2 Way Plate Switch
DP**416##	'Ingot' 10AX 6 Gang 2 Way Plate Switch
DP**425##	'Ingot' 10AX Intermediate Switch



DPBR411WH DPBR425WH



DPBN412BK



DPSS413WH



DPCH414BK

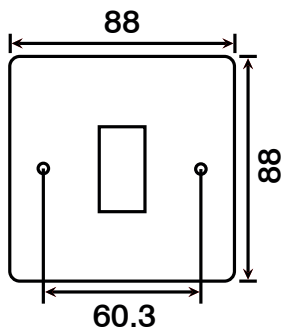


DPSC416WH

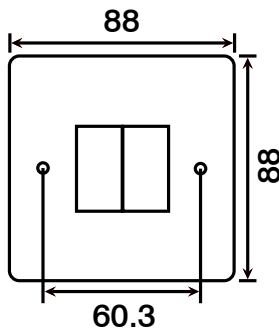
10AX Plate Switches (Modular)

Product Dimensional Drawings (mm)

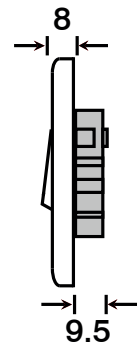
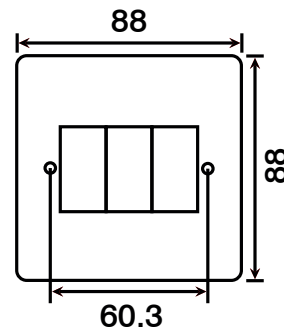
DP**411, 425



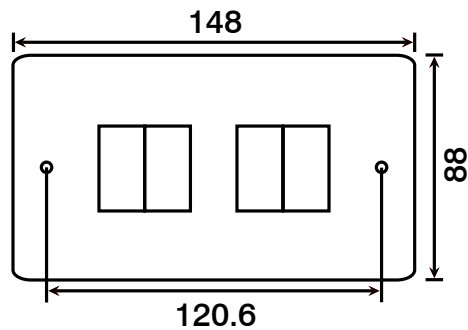
DP**412



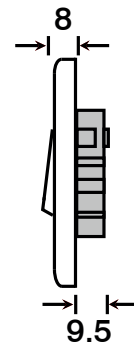
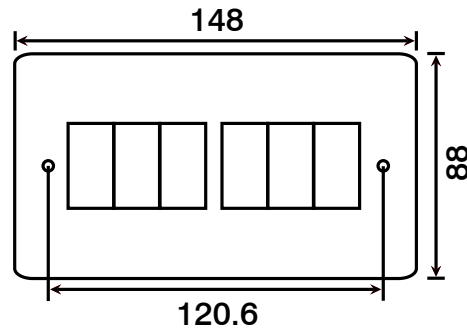
DP**413



DP**414



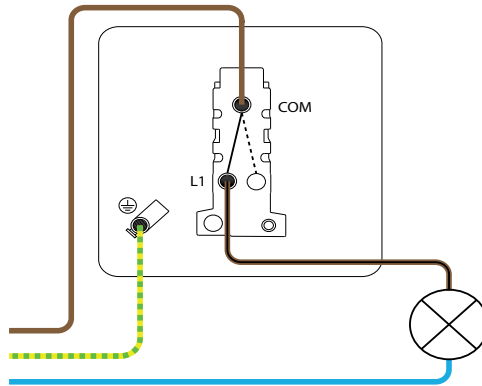
DP**416



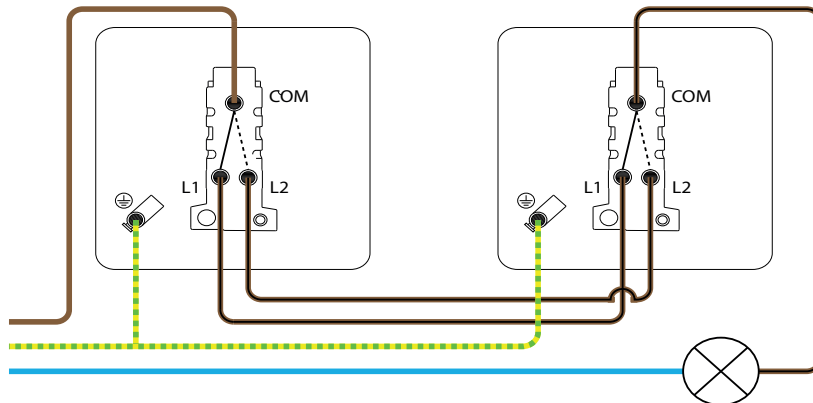
10AX Plate Switches (Modular)

Wiring Diagrams

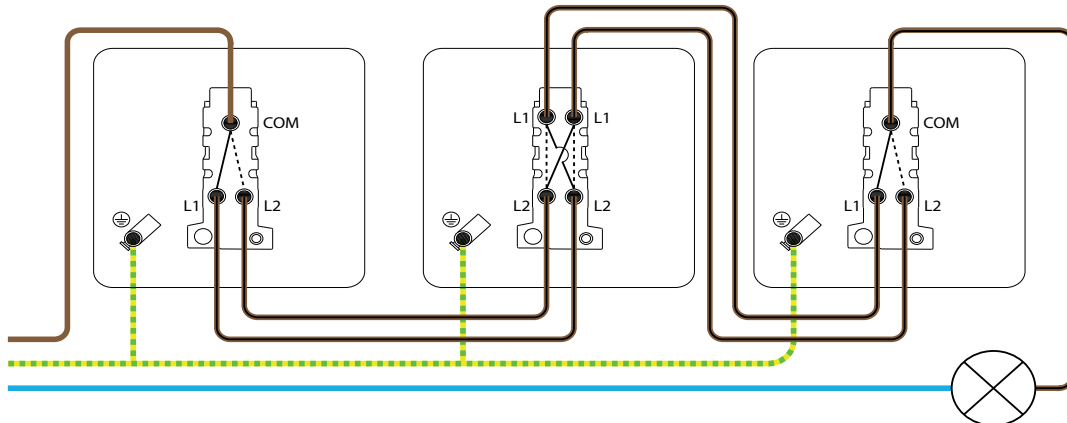
1 Way Switched Circuit



2 Way Switched Circuit



Intermediate Switched Circuit



Errors & Omissions excluded. Specification is subject to change without notice.

V1.0

Scolmore International Ltd, 1 Scolmore Park, Landsberg, Lichfield Road Ind. Estate, Tamworth, Staffordshire, B79 7XB

Telephone: 01827 63454

E-mail: sales@scolmore.com, technical@scolmore.com

Facsimile: 01827 63362

Website: www.scolmore.com

10AX Plate Switches (Modular)

Technical Specification

10AX Plate Switches (Modular)

Material Composition	Front Plate: Stainless Steel
	Rear Housing: Nylon
	Terminals: Brass
	Earth Strap: Mild Steel
	Terminal Screws: Steel & Yellow Passivated
	Silver “on-lay” Copper / Brass Contacts
Voltage	240V~ 50Hz
Current Rating	10AX (suitable for inductive loads)
Terminal Size	3.5mm ø
Torque Value	0.4Nm
Cable Size	4 x 1.5mm ² or 2 x 2.5mm ²
Back Box Depth	16mm - 47mm
Modular	Yes
Warranty	10 Years
IP Rating	IP20
Operational Temperature	-5° to +40°C
Standards	The Low Voltage Directive 2014/35/EC
	BS EN 60669-1:1999 + A1:2002 + A2:2008

Additional Information

Ensure that the mains supply is isolated before commencing installation and refer to the circuit diagram with the relevant product.

Bare earth cables must always be covered with appropriate sleeving and wired to the earth terminal.

Interchangeable with switches in the MINIGRID system.



EU DECLARATION OF CONFORMITY

1. *Issuer Name* Scolmore International Limited
2. *Issuer Address* 1 Scolmore Park, Landsberg,
Lichfield Road Industrial Estate,
Tamworth, Staffordshire, B79 7XB
3. *Object(s) of Declaration* Deco Plus Range
- a. *Group* 10AX Switches
- b. *Model No.* DP-411, DP-412, DP-413, DP-414, DP-416, DP-425
4. *The object of the declaration described above is in conformity with the requirements of the following Legislations:*
- | Document No | Title |
|-------------|-----------------------|
| 2014/35/EC | Low Voltage Directive |

5. *All products contained within the aforementioned comply with the relevant standards and requirements listed below.*

EN 60669-1:1999 + A1:2002 + A2:2008

6. *I hereby declare that the equipment named above has been designed to comply with the relevant sections of the above referenced specifications. The unit complies with all applicable Essential Requirements of the Directives.*

In conjunction with the above all manufacture and process controls are in accordance with ISO 9001:2008.

This declaration has been issued under the sole responsibility of the manufacturer, signed at, for and on behalf of: Scolmore International Limited

A handwritten signature in black ink that reads "Ross Turner".

Ross Turner - Technical Support Engineer