



Power Socket Outlets



The smooth contemporary curves of the Deco Plus range are available in seven finishes to compliment any room.

All Deco Plus 13A sockets are tested and approved to BS1363 offering assured quality and safety through our BSI Kitemark Licence KM10807.

13A UK Socket Outlets

Product Range

Finish Comparison



Antique Brass (AB)



Polished Brass (BR)



Polished Chrome (CH)



Satin Chrome (SC)



Satin Brass (SB)



Black Nickel (BN)



Stainless Steel (SS)

V1.0

13A UK Socket Outlets

Product Range

'Ingot' 13A UK Socket Outlets

DP535##**

'Ingot' 13A 1 Gang DP Switched Socket Outlet

DP536##**

'Ingot' 13A 2 Gang DP Switched Socket Outlet (Twin Earth)



DPBN535BK

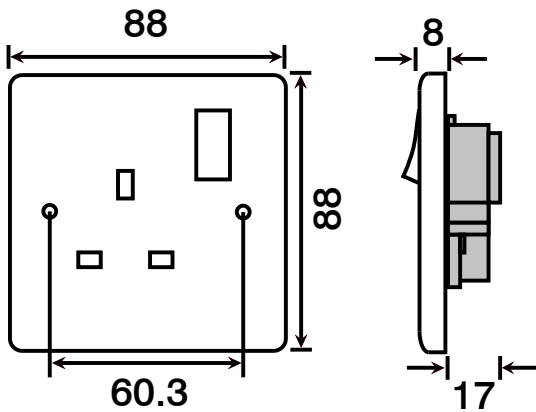


DPSC536WH

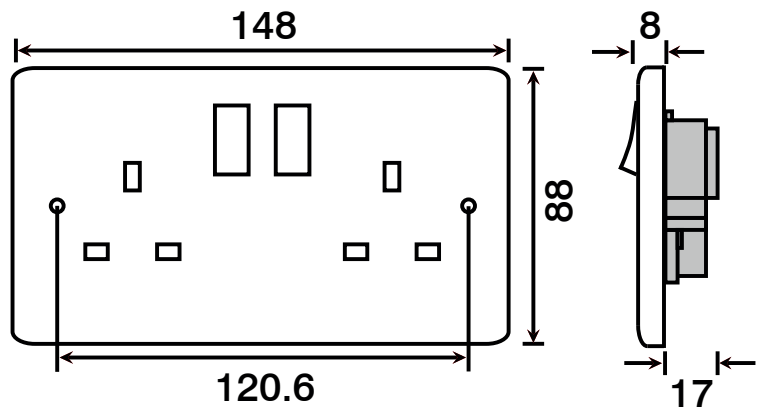
13A UK Socket Outlets

Product Dimensional Drawings (mm)

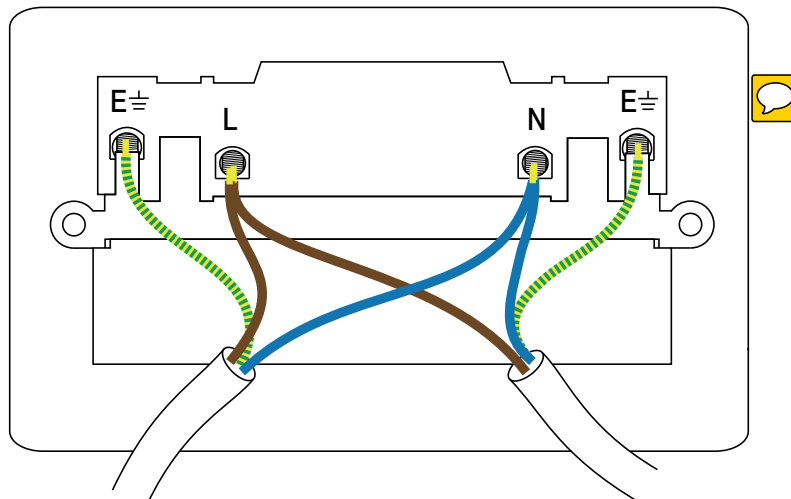
DP**535



DP**536



Product Wiring Diagram



Errors & Omissions excluded. Specification is subject to change without notice. ** Denotes Plate Finish

V1.0

Scolmore International Ltd, 1 Scolmore Park, Landsberg, Lichfield Road Ind. Estate, Tamworth, Staffordshire, B79 7XB

Telephone: 01827 63454

E-mail: sales@scolmore.com, technical@scolmore.com

Facsimile: 01827 63362

Website: www.scolmore.com

13A UK Socket Outlets

Technical Specification

13A UK Socket Outlets

Material Composition	Front Plate: Stainless Steel
	Rear Housing: Urea
	Terminals: Brass
	Earth Strap: Mild Steel
	Terminal Screws: Steel & Yellow Passivated
	Silver "on-lay" Copper / Brass Contacts
Voltage	240V~ 50Hz
Current Rating	13A
Terminal Size	5mm ø
Torque Value	2.5Nm
Cable Size	4 x 2.5mm ²
Back Box Depth	25mm - 47mm
Switched	Yes
Double Pole	Yes
Twin Earth	(536)
Clean Earth	No
Warranty	10 Years
IP Rating	IP20
Operational Temperature	-5° to +40°C
Standards	BS 1363-2: 1995 + A4: 2012 (KM10807 Kitemark License)

Additional Information

Ensure that the mains supply is isolated before commencing installation and refer to the circuit diagram with the relevant product.

Bare earth cables must always be covered with appropriate sleeving and wired to the earth terminal.



EU DECLARATION OF CONFORMITY

1. *Issuer Name* Scolmore International Limited
2. *Issuer Address* 1 Scolmore Park, Landsberg,
Lichfield Road Industrial Estate,
Tamworth, Staffordshire, B79 7XB
3. *Object(s) of Declaration* Deco Plus Range
 - a. *Group* Socket Outlets
 - b. *Model No.* DP-535, DP-536
4. *The object of the declaration described above is in conformity with the requirements of the following Legislations:*
5. *All products contained within the aforementioned comply with the relevant standards and requirements listed below.*

KM10807 Kitemark License
BS 1363-2: 1995 + A4: 2012

6. *I hereby declare that the equipment named above has been designed to comply with the relevant sections of the above referenced specifications. The unit complies with all applicable Essential Requirements of the Directives.*

In conjunction with the above all manufacture and process controls are in accordance with ISO 9001:2008.

This declaration has been issued under the sole responsibility of the manufacturer, signed at, for and on behalf of: Scolmore International Limited

A handwritten signature in black ink that reads "Ross Turner".

Ross Turner - Technical Support Engineer