



MiniGrid Modular Switch Plates



The smooth contemporary curves of the Deco Plus range are available in seven finishes to compliment any room.

Deco switches are developed largely as a modular range based on the large selection of switch modules available in the CLICK MINIGRID Module range. Simple, single screw fixing of modules offers the simplest possible means of installing and replacing modules.

MiniGrid Modular Switch Plates (Unfurnished)

Product Range

Finish Comparison



Antique Brass (AB)



Polished Brass (BR)



Polished Chrome (CH)



Satin Chrome (SC)



Satin Brass (SB)



Black Nickel (BN)



Stainless Steel (SS)

MiniGrid Modular Switch Plates (Unfurnished)

Product Range

MiniGrid Modular Switch Plates (Unfurnished)

DP**401##	1 Gang Plate Single Aperture
DP**402##	1 Gang Plate Twin Aperture
DP**403##	1 Gang Plate Triple Aperture
DP**404##	2 Gang Plate (2+2) Aperture
DP**406##	2 Gang Plate (3+3) Aperture
DP**426##	2 Gang Plate 6 In-Line Aperture
DP**471##	1 Gang Single Aperture Architrave Switch Plate
DP**472##	2 Gang Twin Aperture Architrave Switch Plate



DPSB401WH



DPBN402BK



DPCH403WH



DPSC471BK



DPSS404BK



DPBR406WH



DPSC426BK



DPAB472BK

Errors & Omissions excluded. Specification is subject to change without notice. ** Denotes Plate Finish, ## Denotes Insert Colour

V1.0

Scolmore International Ltd, 1 Scolmore Park, Landsberg, Lichfield Road Ind. Estate, Tamworth, Staffordshire, B79 7XB

Telephone: 01827 63454

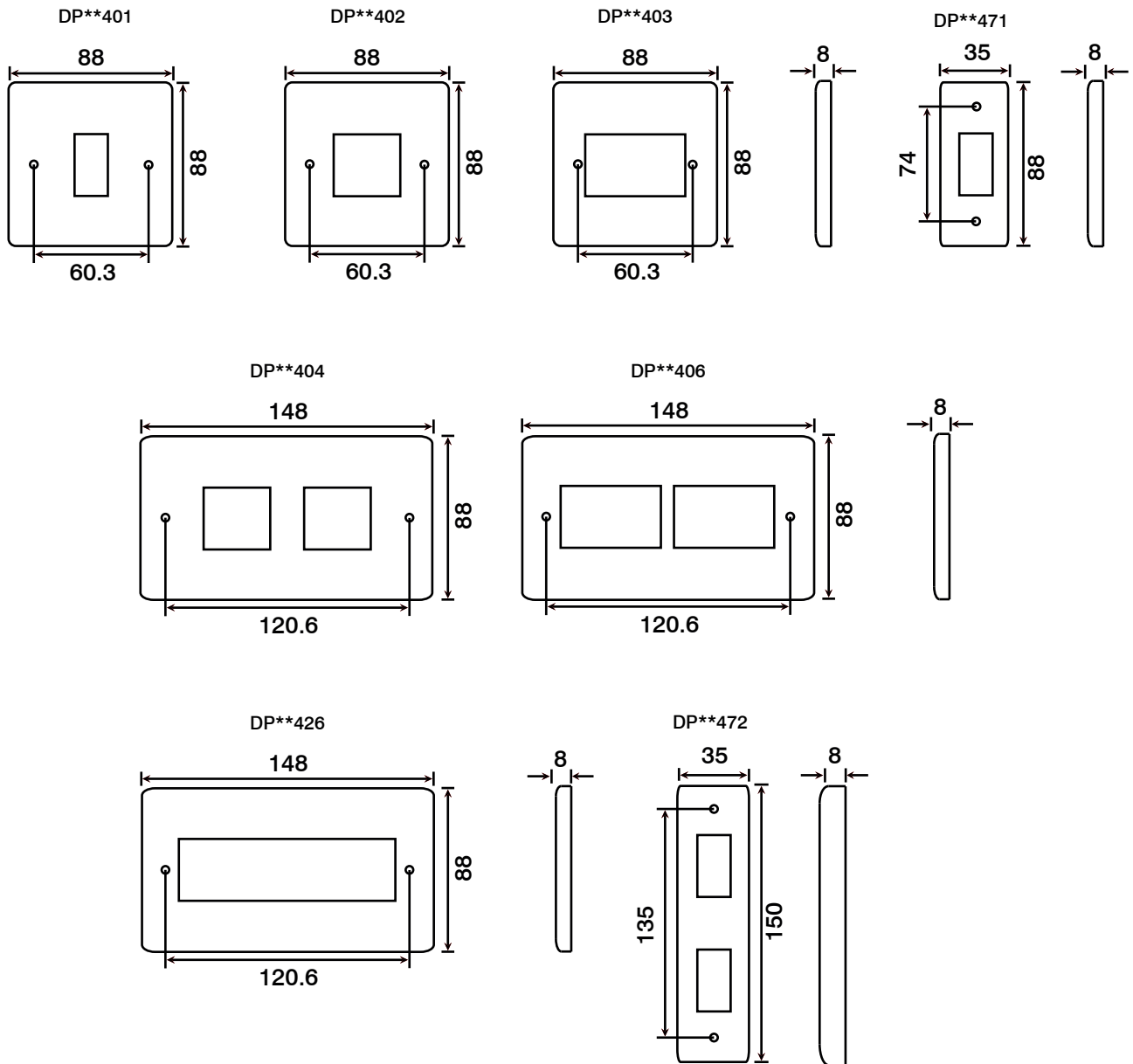
E-mail: sales@scolmore.com, technical@scolmore.com

Facsimile: 01827 63362

Website: www.scolmore.com

MiniGrid Modular Switch Plates (Unfurnished)

Product Dimensional Drawings (mm)

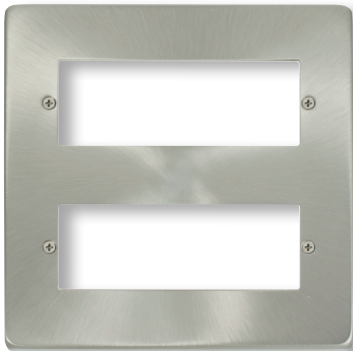


MiniGrid Modular Switch Plates (Unfurnished)

Product Range

MiniGrid Modular Switch Plates (Unfurnished)

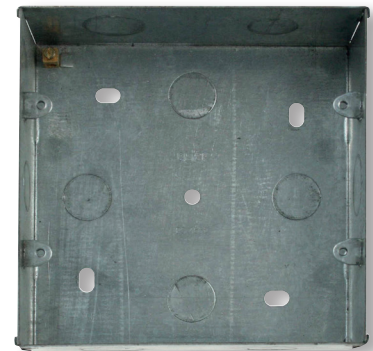
DP**512	12 MiniGrid Module Plate
DP**518	18 MiniGrid Module Plate
GR100##	6 MiniGrid Module Yoke
WA512	2 Gang Double Row K/O Box 47mm Deep
WA518	2 Gang Triple Row K/O Box 47mm Deep



DPSC512



GR100PW



WA512



DPSS518



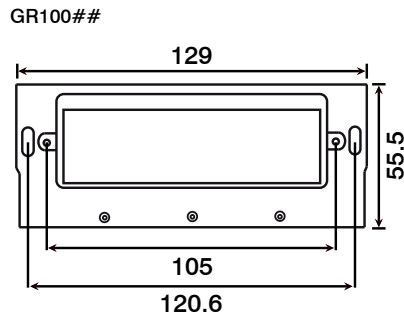
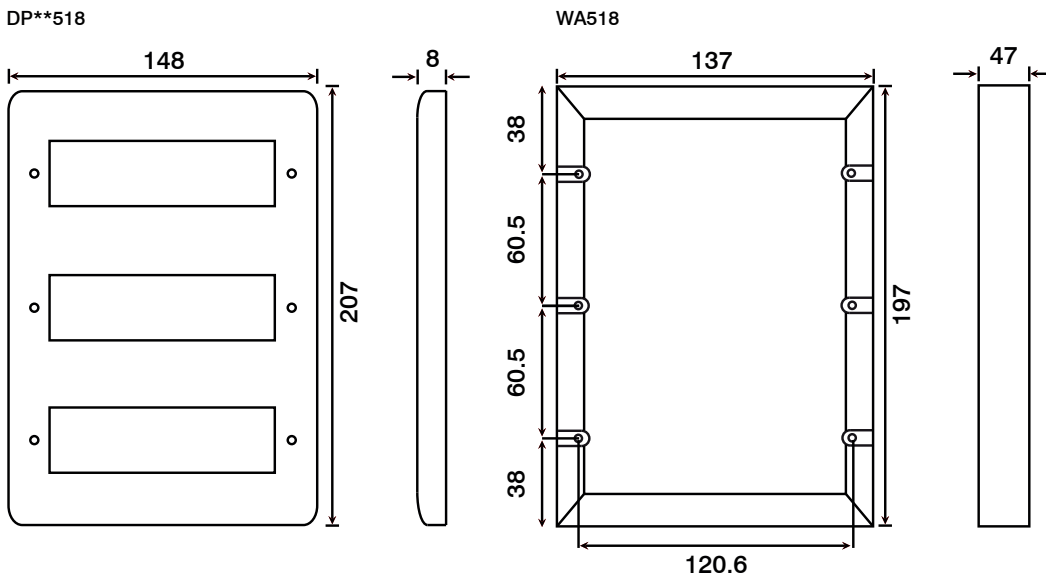
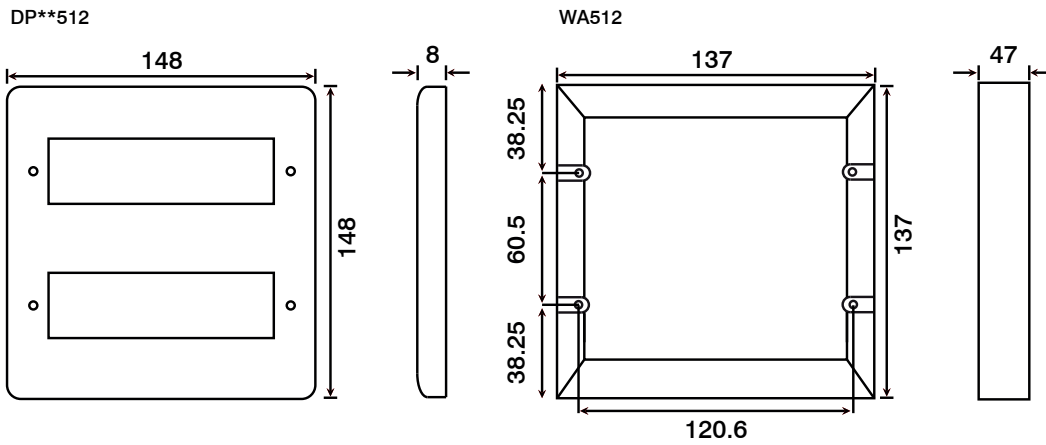
GR100BK



WA518

MiniGrid Modular Switch Plates (Unfurnished)

Product Dimensional Drawings (mm)



Errors & Omissions excluded. Specification is subject to change without notice. ** Denotes Plate Finish, ## Denotes Insert Colour

V1.0

Scolmore International Ltd, 1 Scolmore Park, Landsberg, Lichfield Road Ind. Estate, Tamworth, Staffordshire, B79 7XB

Telephone: 01827 63454

E-mail: sales@scolmore.com, technical@scolmore.com

Facsimile: 01827 63362

Website: www.scolmore.com

MiniGrid Modular Switch Plates (Unfurnished)

Technical Specification

MiniGrid Multi-Tier Modular Switch Plates (Unfurnished)

Material Composition	Front Plate: Stainless Steel
	GR100 Mounting Yoke: Galvanised Steel
	Insert: Urea
	Earth Terminal: Brass
	Earth Strap: Mild Steel
	Back Boxes: Galvanised Steel
Cable Size	Dependent on modules fitted
Back Box Depth	Dependent on modules fitted
Modular	Yes
Warranty	10 Years
IP Rating	IP20
Operational Temperature	-5° to +40°C
Standards	BS 5733 : 2010 + A1 : 2014

Additional Information

Ensure that the mains supply is isolated before commencing installation and refer to the circuit diagram with the relevant product.

Bare earth cables must always be covered with appropriate sleeving and wired to the earth terminal.

DP**512 requires (2x) GR100 MiniGrid Module Yokes. These plates are designed to be used with specified back box WA512.

DP**518 requires (3x) GR100 MiniGrid Module Yokes. These plates are designed to be used with specified back box WA518.

Interchangeable with modules in the MiniGrid system.





EU DECLARATION OF CONFORMITY

1. *Issuer Name* Scolmore International Limited
2. *Issuer Address* 1 Scolmore Park, Landsberg,
Lichfield Road Industrial Estate,
Tamworth, Staffordshire, B79 7XB
3. *Object(s) of Declaration* Deco Plus Range
- a. *Group* MiniGrid Modular Switch Plates (Unfurnished)
- b. *Model No.* DP-401, DP-402, DP-403, DP-404, DP-406, DP-426, DP-471, DP-472,
DP-512, DP-518

4. *The object of the declaration described above is in conformity with the requirements of the following Legislations:*

5. *All products contained within the aforementioned comply with the relevant standards and requirements listed below.*

BS 5733 : 2010 + A1 : 2014

6. *I hereby declare that the equipment named above has been designed to comply with the relevant sections of the above referenced specifications. The unit complies with all applicable Essential Requirements of the Directives.*

In conjunction with the above all manufacture and process controls are in accordance with ISO 9001:2008.

This declaration has been issued under the sole responsibility of the manufacturer, signed at, for and on behalf of: Scolmore International Limited

R Turner

Ross Turner - Technical Support Engineer