



New Media Modular Plates (Unfurnished)



The smooth contemporary curves of the Deco Plus range are available in seven finishes to compliment any room.

Deco Plus New Media modular plates produce a comprehensive yet flexible and user friendly 'system' which enables the installer to easily create topical media and power cabling solutions using any combination of our 25mm x 50mm or 50mm x 50mm media modules.

New Media Modular Plates (Unfurnished)

Product Range

Finish Comparison



Antique Brass (AB)



Polished Brass (BR)



Polished Chrome (CH)



Satin Chrome (SC)



Satin Brass (SB)



Black Nickel (BN)



Stainless Steel (SS)

V1.0

New Media Modular Plates (Unfurnished)

Product Range

New Media Modular Plates (Unfurnished)

DP**310	1 Gang Plate Single Aperture
DP**311	1 Gang Plate Twin Aperture
DP**312	2 Gang Plate Quad Aperture



DPCH310

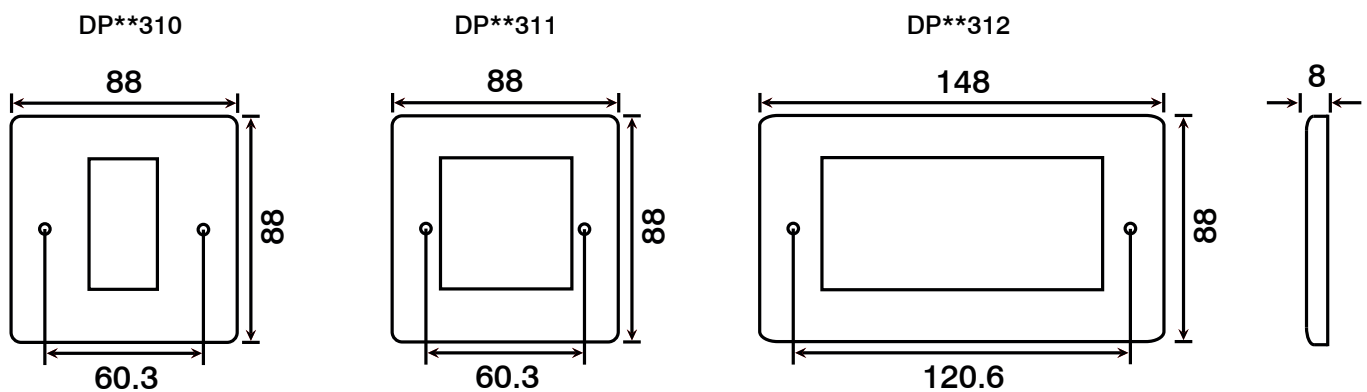


DPSC311



DPBN312

Product Dimensional Drawings (mm)



Errors & Omissions excluded. Specification is subject to change without notice.

New Media Modular Plates (Unfurnished)

Technical Specification

New Media Modular Plates (Unfurnished)

Material Composition	Front Plate: Stainless Steel Insert: Urea
Cable Size	Dependent on modules fitted
Back Box Depth	Dependent on modules fitted
Modular	Yes
Warranty	10 Years
IP Rating	IP20
Operational Temperature	-5° to +40°C
Standards	BS 5733 : 2010 + A1 : 2014 BS 1363-2: 1995 + A4: 2012

Additional Information

Ensure that the mains supply is isolated before commencing installation and refer to the circuit diagram with the relevant product.

Bare earth cables must always be covered with appropriate sleeving and wired to the earth terminal.

Interchangeable with modules in the New Media system.





EU DECLARATION OF CONFORMITY

1. *Issuer Name* Scolmore International Limited
2. *Issuer Address* 1 Scolmore Park, Landsberg,
Lichfield Road Industrial Estate,
Tamworth, Staffordshire, B79 7XB
3. *Object(s) of Declaration* Deco Plus Range
 - a. *Group* New Media Modular Plates (Unfurnished)
 - b. *Model No.* DP-310, DP-311, DP-312
4. *The object of the declaration described above is in conformity with the requirements of the following Legislations:*
5. *All products contained within the aforementioned comply with the relevant standards and requirements listed below.*

BS 5733 : 2010 + A1 : 2014

6. *I hereby declare that the equipment named above has been designed to comply with the relevant sections of the above referenced specifications. The unit complies with all applicable Essential Requirements of the Directives.*

In conjunction with the above all manufacture and process controls are in accordance with ISO 9001:2008.

This declaration has been issued under the sole responsibility of the manufacturer, signed at, for and on behalf of: Scolmore International Limited

R Turner

Ross Turner - Technical Support Engineer