



## *Telephone & Data Sockets*



The smooth contemporary curves of the Deco Plus range are available in seven finishes to compliment any room.

Deco Plus Telephone and Data sockets are designed to fit effortlessly with the range, with simple installation to enhance the décor of any area.

*Telephone & Data Sockets*

**Product Range**

**Finish Comparison**



Antique Brass (AB)



Polished Brass (BR)



Polished Chrome (CH)



Satin Chrome (SC)



Satin Brass (SB)



Black Nickel (BN)



Stainless Steel (SS)

## Telephone & Data Sockets

### Product Range

#### Telephone Sockets

<b>DP**120##</b>	Single Telephone Outlet - Master
<b>DP**121##</b>	Twin Telephone Outlet - Master
<b>DP**125##</b>	Single Telephone Outlet - Secondary
<b>DP**126##</b>	Twin Telephone Outlet - Secondary

#### Data Outlets

<b>DP**115##</b>	RJ11 (Irish/US) Outlet
------------------	------------------------



DPSC115WH



DPBN120BK



DPCH121WH



DPSS125BK



DPBR126WH

Errors & Omissions excluded. Specification is subject to change without notice. \*\* Denotes Plate Finish, ## Denotes Insert Colour

V1.0

Scolmore International Ltd, 1 Scolmore Park, Landsberg, Lichfield Road Ind. Estate, Tamworth, Staffordshire, B79 7XB

Telephone: 01827 63454

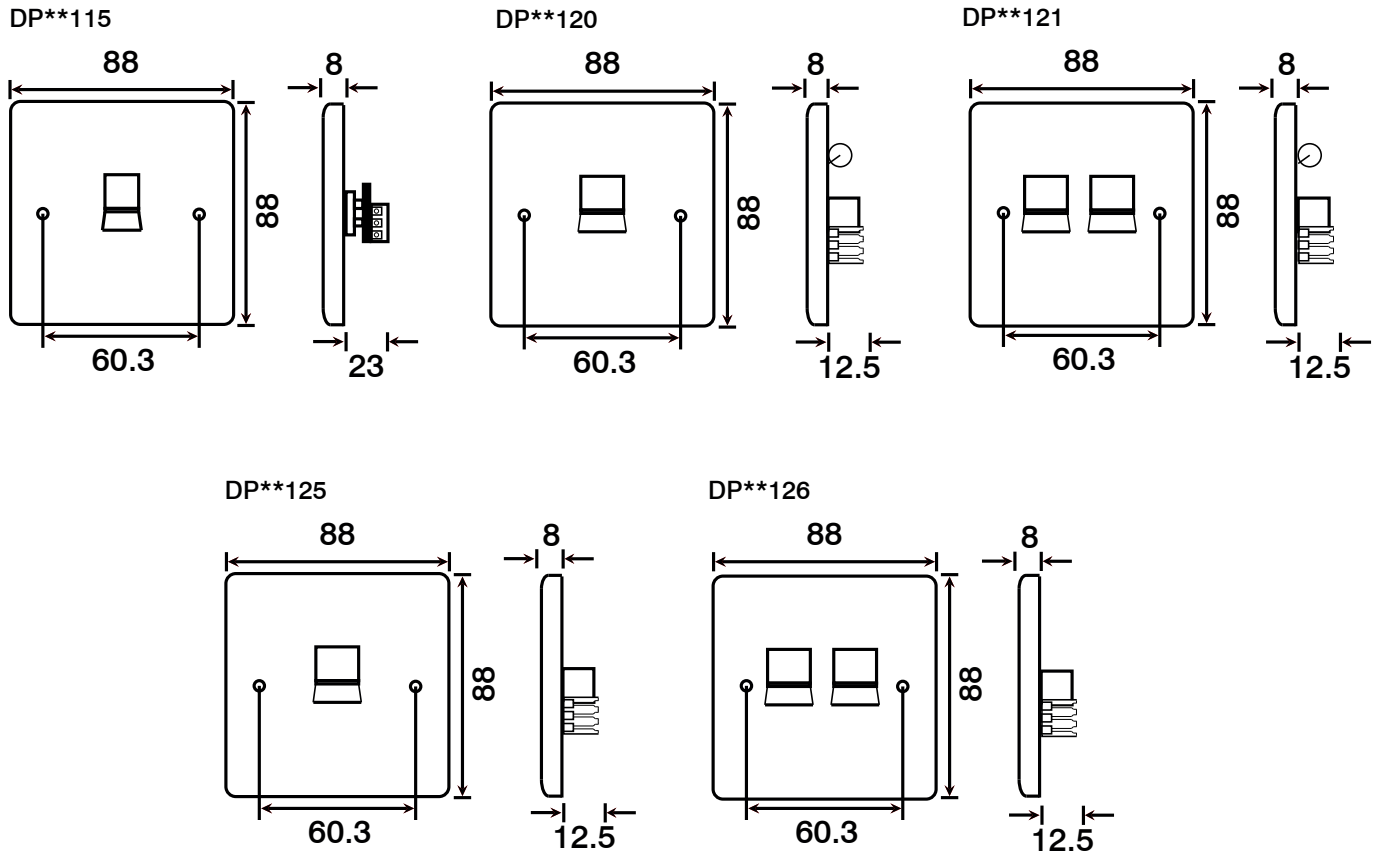
E-mail: [sales@scolmore.com](mailto:sales@scolmore.com), [technical@scolmore.com](mailto:technical@scolmore.com)

Facsimile: 01827 63362

Website: [www.scolmore.com](http://www.scolmore.com)

**Telephone & Data Sockets**

**Product Dimensional Drawings (mm)**



Errors & Omissions excluded. Specification is subject to change without notice. \*\* Denotes Plate Finish

V1.0

Scolmore International Ltd, 1 Scolmore Park, Landsberg, Lichfield Road Ind. Estate, Tamworth, Staffordshire, B79 7XB

**Telephone:** 01827 63454

**E-mail:** sales@scolmore.com, technical@scolmore.com

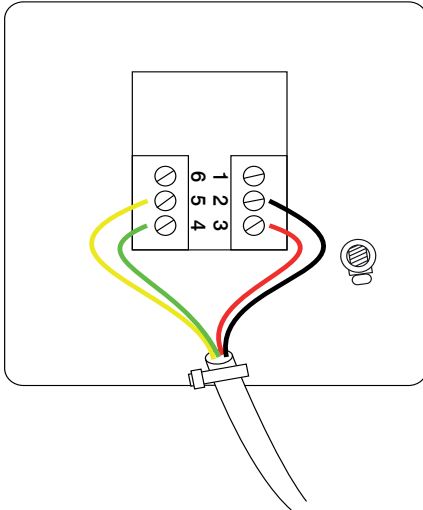
**Facsimile:** 01827 63362

**Website:** www.scolmore.com

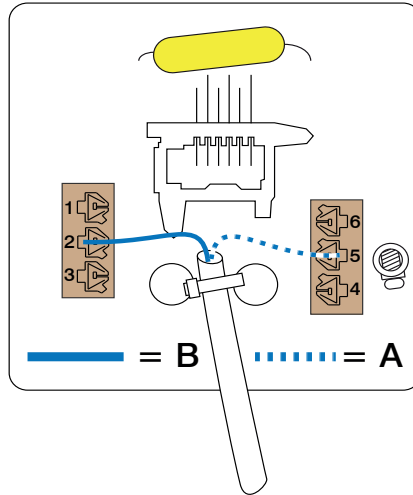
**Telephone & Data Sockets**

**Wiring Diagrams**

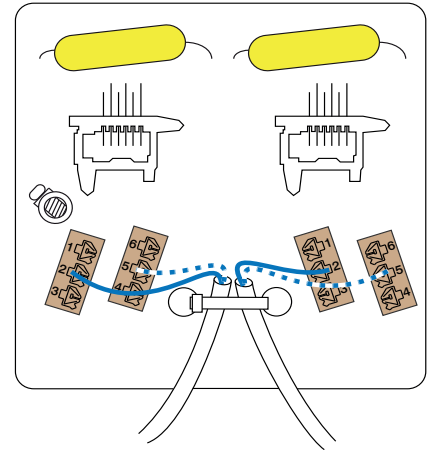
DP\*\*115



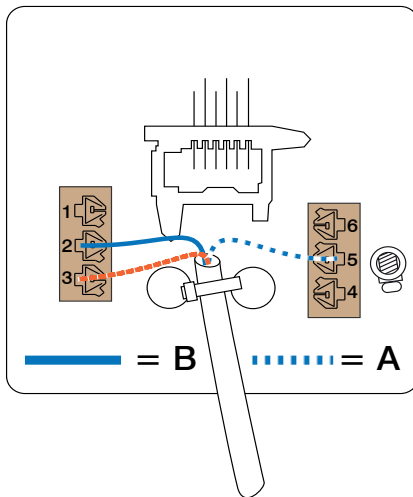
DP\*\*120



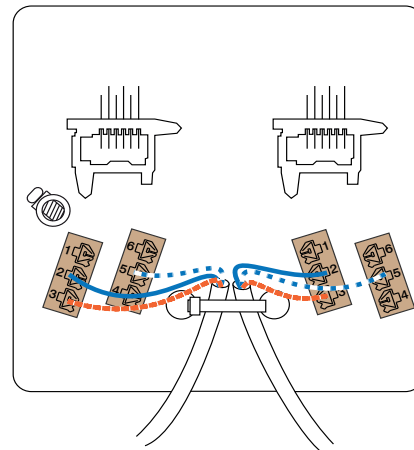
DP\*\*121



DP\*\*125



DP\*\*126



## Telephone & Data Sockets

### Technical Specification

#### Telephone & Data Sockets

<b>Material Composition</b>	Front Plate: Stainless Steel
<b>Connection Types</b>	RJ11 Socket - Screw Terminals Telephone Sockets - IDC
<b>Back Box Depth</b>	16mm - 47mm
<b>Warranty</b>	10 Years
<b>IP Rating</b>	IP20
<b>Operational Temperature</b>	-5° to +40°C
<b>Standards</b>	The Low Voltage Directive 2014/35/EC BS 6312-2-2:1997 (where applicable) BS EN 50173-1:2011 (where applicable) BS 5733:1995 (where applicable)

### Additional Information

Ensure that the mains supply is isolated before commencing installation and refer to the circuit diagram with the relevant product.

Bare earth cables must always be covered with appropriate sleeving and wired to the earth terminal.



## EU DECLARATION OF CONFORMITY

1. *Issuer Name* Scolmore International Limited
2. *Issuer Address* 1 Scolmore Park, Landsberg,  
Lichfield Road Industrial Estate,  
Tamworth, Staffordshire, B79 7XB
3. *Object(s) of Declaration* Deco Plus Range
  - a. *Group* Telephone & Data Socket Outlets
  - b. *Model No.* DP-115, DP-120, DP-121, DP-125, DP-126
4. *The object of the declaration described above is in conformity with the requirements of the following Legislations:*
5. *All products contained within the aforementioned comply with the relevant standards and requirements listed below.*

BS 6312-2-2 : 1997 (where applicable)

BS EN 50173-1 : 2011 (where applicable)

BS 5733 : 1995 (where applicable)

6. *I hereby declare that the equipment named above has been designed to comply with the relevant sections of the above referenced specifications. The unit complies with all applicable Essential Requirements of the Directives.*

*In conjunction with the above all manufacture and process controls are in accordance with ISO 9001:2008.*

*This declaration has been issued under the sole responsibility of the manufacturer, signed at, for and on behalf of: Scolmore International Limited*

*R Turner*

Ross Turner - Technical Support Engineer