



## *Round Pin Socket Outlets*



The smooth contemporary curves of the Deco Plus range are available in seven finishes to compliment any room.

All Deco Plus Round Pin sockets are tested and approved to BS546 offering assured quality and safety.

## Round Pin Socket Outlets

### Product Range

#### Finish Comparison



Antique Brass (AB)



Polished Brass (BR)



Polished Chrome (CH)



Satin Chrome (SC)



Satin Brass (SB)



Black Nickel (BN)



Stainless Steel (SS)

V1.0

## Round Pin Socket Outlets

### Product Range

#### Round Pin Socket Outlets

<b>DP**038##</b>	5A Round Pin Socket Outlet
<b>DP**039##</b>	2A Round Pin Socket Outlet



DPSC038WH

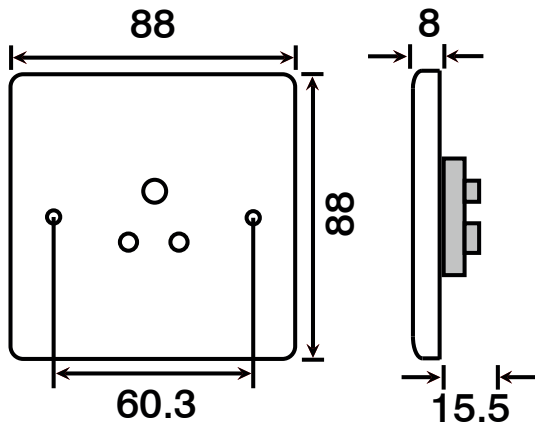


DPBR039BK

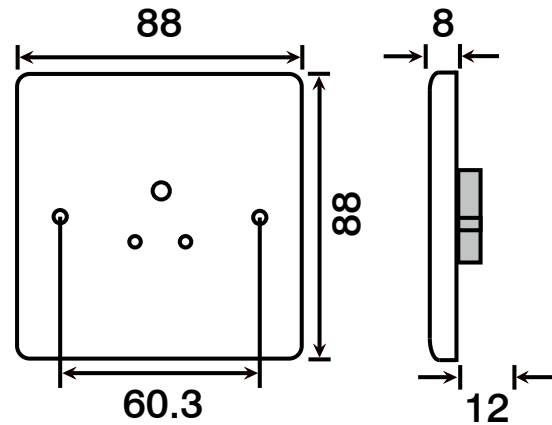
Round Pin Socket Outlets

Wiring Diagram

DP\*\*038

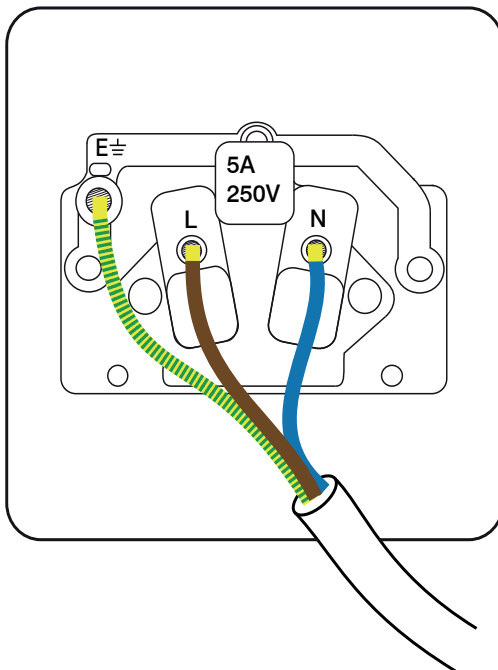


DP\*\*039

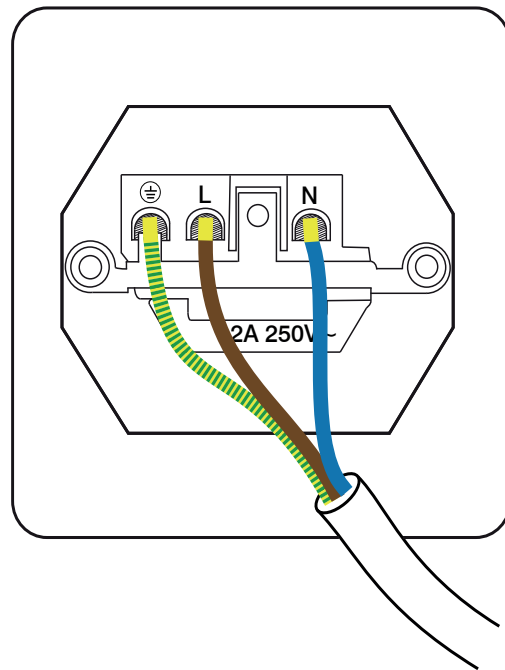


Wiring Diagram

DP\*\*038



DP\*\*039



## Round Pin Socket Outlets

### Technical Specification

#### Round Pin Socket Outlets

<b>Material Composition</b>	Front Plate: Stainless Steel
	Rear Housing: Urea
	Terminals: Brass
	Earth Strap: Mild Steel
	Terminal Screws: Steel & Yellow Passivated
	Silver “on-lay” Copper / Brass Contacts
<b>Voltage</b>	240V~ 50Hz
<b>Current Rating</b>	5A / 2A
<b>Terminal Size</b>	5mm ø
<b>Torque Value</b>	1.2Nm (5A) / 0.4Nm (2A)
<b>Cable Size</b>	2 x 2.5mm <sup>2</sup> / 3 x 1.5mm <sup>2</sup>
<b>Back Box Depth</b>	25mm - 47mm
<b>Warranty</b>	20 Years
<b>IP Rating</b>	IP20
<b>Operational Temperature</b>	-5° to +40°C
<b>Standards</b>	The Low Voltage Directive 2014/35/EC BS 546:1950

### Additional Information

Ensure that the mains supply is isolated before commencing installation and refer to the circuit diagram with the relevant product.

Bare earth cables must always be covered with appropriate sleeving and wired to the earth terminal.

EU DECLARATION OF CONFORMITY

1. *Issuer Name* Scolmore International Limited
2. *Issuer Address* 1 Scolmore Park, Landsberg,  
Lichfield Road Industrial Estate,  
Tamworth, Staffordshire, B79 7XB
3. *Object(s) of Declaration* Deco Plus Range
- a. *Group* Round Pin Socket Outlets
- b. *Model No.* DP-038, DP-039
4. *The object of the declaration described above is in conformity with the requirements of the following Legislations:*
- | Document No | Title                 |
|-------------|-----------------------|
| 2014/35/EC  | Low Voltage Directive |

5. *All products contained within the aforementioned comply with the relevant standards and requirements listed below.*

BS 546:1950

6. *I hereby declare that the equipment named above has been designed to comply with the relevant sections of the above referenced specifications. The unit complies with all applicable Essential Requirements of the Directives.*

*In conjunction with the above all manufacture and process controls are in accordance with ISO 9001:2008.*

*This declaration has been issued under the sole responsibility of the manufacturer, signed at, for and on behalf of: Scolmore International Limited*

A handwritten signature in black ink that reads "Ross Turner".

Ross Turner - Technical Support Engineer