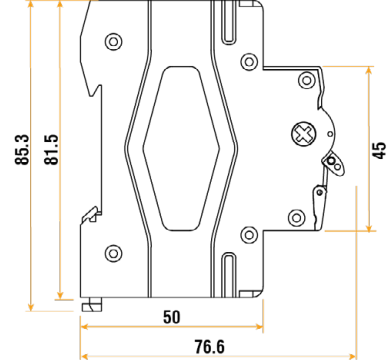
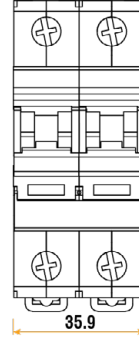
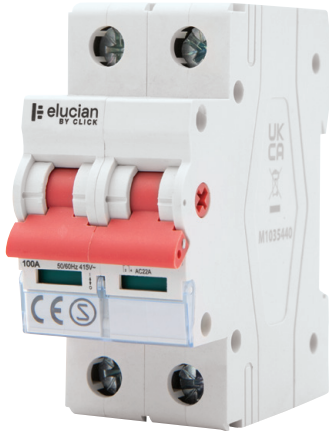


Product Code: CU2MS100

Description: 2 Pole 100A Mains Isolator Switch



**General Information**

<b>Overall Dimensions</b>	35.9mm (W) x 85.3mm (H) x 76.6mm (D)	
<b>Finish</b>	Light Grey (RAL 7035)	
<b>Rated Operational Voltage (U<sub>e</sub>)</b>	230V/415V~ 50/60Hz	
<b>Maximum Rated Current (I<sub>n</sub>)</b>	100A	
<b>Number Of Poles</b>	2	
<b>Utilisation Category</b>	AC-22A	
<b>Short Circuit Withstand Current (I<sub>cw</sub>)</b>	12 I <sub>e</sub> , t=1s	
<b>Short Circuit Making Capacity (I<sub>cm</sub>)</b>	20 I <sub>e</sub>	
<b>Making &amp; Breaking Capacity</b>	3I <sub>e</sub> , 1.05U <sub>e</sub> , COSφ =0.65	
<b>Insulation Voltage (U<sub>i</sub>)</b>	690V	
<b>Impulse Withstand Voltage (U<sub>imp</sub>)</b>	6000V	
<b>Endurance Operations</b>	Mechanical: 10000	Electrical: 1500
<b>Device Terminal Type</b>	Screwed Lug & Pin	
<b>Terminal Capacity</b>	35mm <sup>2</sup>	Maximum Torque: 2.5Nm
<b>Operational Temperature</b>	-25°C to +40°C	
<b>Ingress Protection</b>	IP20	
<b>Warranty</b>	3 Years	

**Standards** BS EN 60947-3