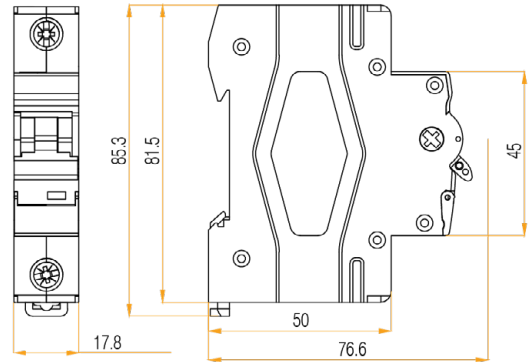


Product Code: CU1MCB32C

Description: 1 Pole True 6kA C Curve 32A MCB



General Information

| | | |
|--|---|------------------|
| Overall Dimensions | 17.8mm (W) x 85.3mm (H) x 76.6mm (D) | |
| Finish | Light Grey (RAL 7035) | |
| Rated Operational Voltage (U_e) | 230V/400V~ 50/60Hz | |
| Thermal Operating Limit | (1.13-1.45) x I _n | |
| Maximum Rated Current (I_n) | 32A | |
| MCB Operating Characteristics | C Curve | |
| Rated Breaking Capacity (I_{cs}) | True 6kA | |
| Number Of Poles | 1 | |
| Insulation Voltage (U_i) | 500V | |
| Impulse Withstand Voltage (U_{imp}) | 4000V | |
| Endurance Operations | Mechanical: 20000 | Electrical: 8000 |
| Trip Type | Thermal/Magnetic Release | |
| Operating Characteristics | (5-10) x I _n | |
| Device Terminal Type | Screwed Lug & Pin | |
| Terminal Capacity | 25mm ² Flexible or 35mm ² Rigid | |
| Maximum Torque | 2.0Nm | |
| Operational Temperature | -5°C to +40°C | |
| Ingress Protection | IP20 | |
| Warranty | 3 Years | |

Standards BS EN 60898-1

