



## *Telephone Socket Outlet*



A comprehensive selection of metal clad electrical accessory products are featured in the following pages. Electrophoretically coated plates and back boxes provide a durable and long lasting heavy duty finish to this attractive range of products.

All switch products are of modular construction allowing the installer total freedom in designing customised switching solutions according to on-site needs.

## Telephone Socket Outlet

### Product Range

#### Telephone Socket Outlet - Master

**CL120**

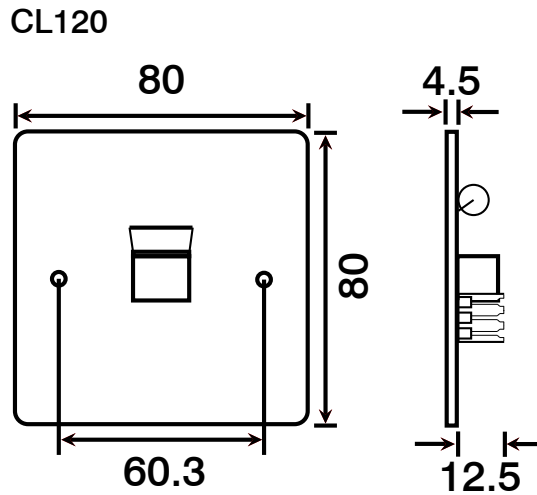
Single Telephone Master Socket Outlet



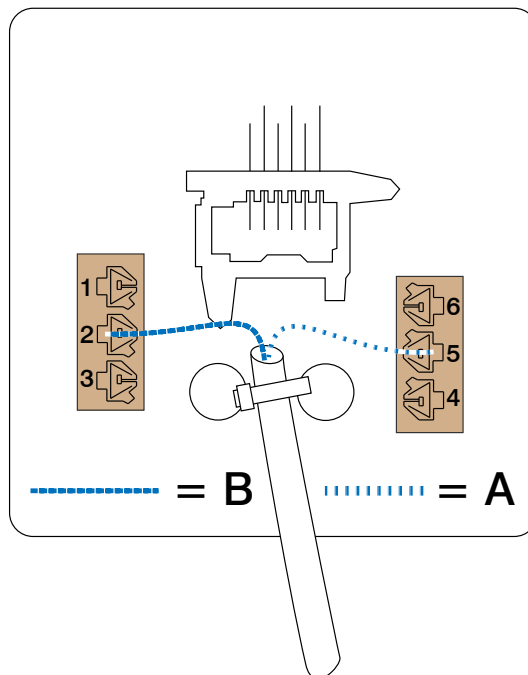
CL120

## Telephone Socket Outlet

### Product Dimensional Drawings (mm)



### Product Wiring Diagram



Errors & Omissions excluded. Specification is subject to change without notice.

V1.0

Scolmore International Ltd, 1 Scolmore Park, Landsberg, Lichfield Road Ind. Estate, Tamworth, Staffordshire, B79 7XB

**Telephone:** 01827 63454

**E-mail:** sales@scolmore.com, technical@scolmore.com

**Facsimile:** 01827 63362

**Website:** www.scolmore.com

## Telephone Socket Outlet

### Technical Specification

#### Telephone Socket Outlet

<b>Material Composition</b>	Front Plate & Back Box: Electrophoretically Coated Steel
<b>Connection Types</b>	Telephone Sockets - IDC
<b>Back Box Depth</b>	40mm Supplied
<b>Knockout Size</b>	20mm
<b>Warranty</b>	10 Years
<b>IP Rating</b>	IP20
<b>Operational Temperature</b>	-5° to +40°C
<b>Standards</b>	The Low Voltage Directive 2006/95/EC BS 6312-2-2:1997 BS EN 50173-1:2011 (where applicable) BS 5733:1995 (where applicable)

### Additional Information

Ensure that the mains supply is isolated before commencing installation and refer to the circuit diagram with the relevant product.

## DECLARATION OF CONFORMITY

1. *Issuer Name* Scolmore International Limited
2. *Issuer Address* 1 Scolmore Park, Landsberg,  
Lichfield Road Industrial Estate,  
Tamworth, Staffordshire, B79 7XB
3. *Object(s) of Declaration* Metal Clad Range
- a. *Group* Telephone Socket Outlets
- b. *Model No.* CL120
4. *The object of the declaration described above is in conformity with the requirements of the following Legislations:*
- | Document No | Title                 |
|-------------|-----------------------|
| 2006/95/EC  | Low Voltage Directive |

5. *All products contained within the aforementioned comply with the relevant standards and requirements listed below.*

BS 6312-2-2 : 1997 (where applicable)  
BS EN 50173-1 : 2011 (where applicable)  
BS 5733 : 1995 (where applicable)

6. *I hereby declare that the equipment named above has been designed to comply with the relevant sections of the above referenced specifications. The unit complies with all applicable Essential Requirements of the Directives.*

*In conjunction with the above all manufacture and process controls are in accordance with ISO 9001:2008*

Signed, for and on behalf of: Scolmore International Limited



Steven Bettson BSc - Senior Technical Support Engineer

# CE 13