



20A Control Switches



Electrophoretically coated plates and back boxes provide a durable and long lasting heavy duty finish to the Metal Clad range of products.

All Metal Clad 20A Control Switches are tested and approved to BS EN 60669 offering assured quality and safety.

20A Control Switches

Product Range

20A Control Switches With Optional Flex Outlet

CL022	20A Double Pole Switch
CL023	20A Double Pole Switch With Neon



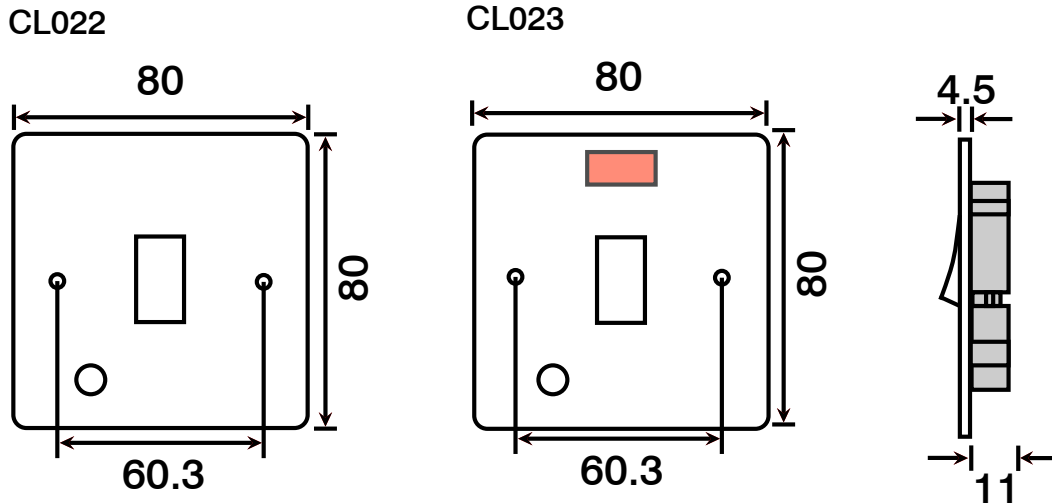
CL022



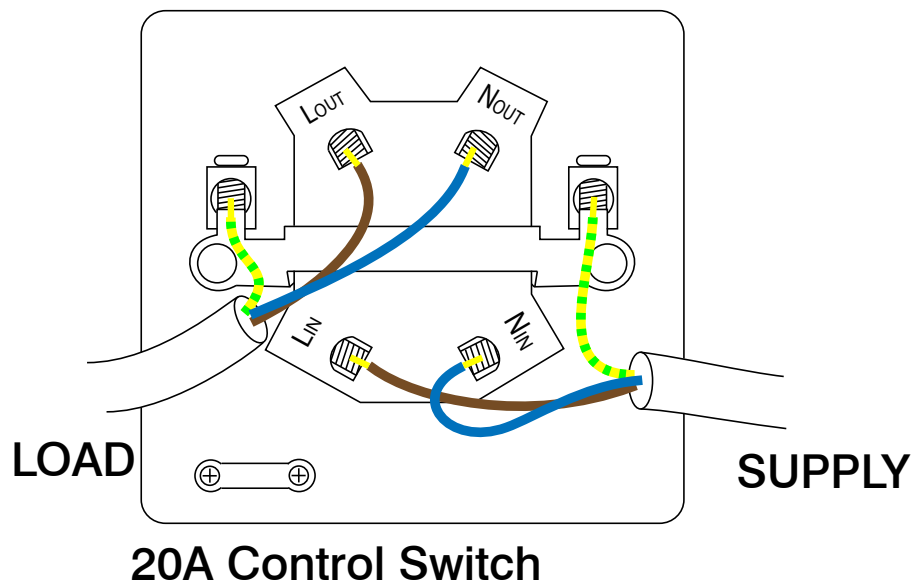
CL023

20A Control Switches

Product Dimensional Drawings (mm)



Product Wiring Diagram



20A Control Switches

Technical Specification

20A Control Switches

Material Composition	Front Plate & Back Box: Electrophoretically Coated Steel Rocker Switch & Rear Housing: Urea Terminals: Brass Earth Strap: Mild Steel Terminal Screws: Steel & Yellow Passivated Silver "on-lay" Copper / Brass Contacts
Voltage	240V~ 50Hz
Current Rating	20A
Terminal Size	5mm ø
Torque Value	1.8Nm
Cable Size	4 x 2.5mm ²
Back Box Depth	40mm Provided
Knockout Sizes	20mm
Double Pole	Yes
Twin Earth	Yes
Warranty	10 Years
IP Rating	IP20
Operational Temperature	-5° to +40°C
Standards	The Low Voltage Directive 2006/95/EC BS EN 60669-1:1999 + A1:2002 + A2:2008

Additional Information

Ensure that the mains supply is isolated before commencing installation and refer to the circuit diagram with the relevant product.

Bare earth cables must always be covered with appropriate sleeving and wired to the earth terminal.

DECLARATION OF CONFORMITY

1. *Issuer Name* Scolmore International Limited
2. *Issuer Address* 1 Scolmore Park, Landsberg,
Lichfield Road Industrial Estate,
Tamworth, Staffordshire, B79 7XB
3. *Object(s) of Declaration* Metal Clad Range
- a. *Group* 20A Control Switches
- b. *Model No.* CL022, CL023
4. *The object of the declaration described above is in conformity with the requirements of the following Legislations:*
- | Document No | Title |
|-------------|-----------------------|
| 2006/95/EC | Low Voltage Directive |

5. *All products contained within the aforementioned comply with the relevant standards and requirements listed below.*

EN 60669-1:1999 + A1:2002 + A2:2008

6. *I hereby declare that the equipment named above has been designed to comply with the relevant sections of the above referenced specifications. The unit complies with all applicable Essential Requirements of the Directives.*

In conjunction with the above all manufacture and process controls are in accordance with ISO 9001:2008

Signed, for and on behalf of: Scolmore International Limited



Steven Bettson BSc - Senior Technical Support Engineer

CE 13