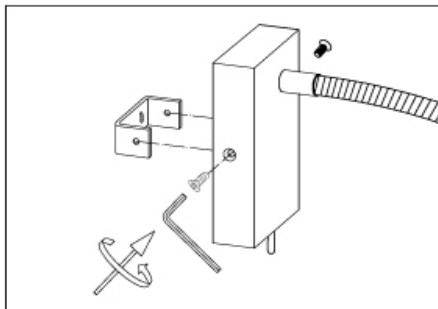


## Commissioning

- Refit the product to the fixing strap. Secure in place using the grub screws and allen key provided. Be careful not to trap any wiring. See diagram on the right.
- Replace fuse or circuit breaker and switch on. Your light is now ready for use.



## Fitting/replacing bulb

- The LED in this product is non replaceable.

We recommend cleaning with a soft dry cloth. Do not use abrasive materials as these will damage the finish.

## Recycling advice



Waste electrical products should not be disposed of with household waste. Please recycle where facilities exist. Check with your Local Authority or retailer for recycling advice.

## Safety information

For your safety, always switch off the supply before cleaning. The LED lamp in this product is non-replaceable. At the end of its useful life the product must be disposed of responsibly - and not with normal household waste.

## Instruction leaflet

# Madison Wall

50605, 50606



CE

saxby  
lighting

Thank you for purchasing this light fitting. Please read the instructions carefully before use to ensure safe and satisfactory operation of this product. Please retain these instructions for future reference.

## Warning

 **This product is Double Insulated and does not require connection to an Earth circuit.**

Please read these instructions carefully before commencing any work. It is recommended that this fitting is installed by a qualified electrician.

Install in accordance with the IEE Wiring regulations and the Building Regulations.

To prevent electrocution switch off at mains supply before installing or maintaining this fitting. Ensure other persons cannot restore the electrical supply without your knowledge. If you are in any doubt, please consult a qualified electrician.

This light fitting should be connected to a 5 amp fused circuit.

If replacing an existing fitting, make a note of the connections.

This product is suitable for indoor use only, on normal flammable surfaces.

This product is not suitable for dimming.

This product contains non-replaceable parts and cannot be serviced. If damage occurs the part should be scrapped.

Waste electrical products should not be disposed of with household waste. Please recycle where facilities exist. Check with your local authority or retailer for recycling advice.

## Specification

Voltage: 240V 50Hz  
Lamp: 1 x Max. 1W Hi Power LED (non replaceable)  
IP rating: 20

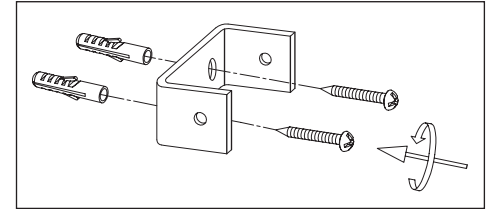
## Layout

- Plan the desired layout of this fitting carefully, ensuring the cables will reach the distance between the junction box and the light fitting
- Avoid locating any cables in positions that would cause a hazard. Position cables and junction boxes (not supplied) away from areas where they may be at risk from being cut, trapped or damaged.
- Cables in walls must be protected using suitable conduit or plastic trunking.
- The mains supply cable must have a minimum cross sectional area of 1.0mm<sup>2</sup>

## Installation

Existing fittings must be completely removed before installation of a new product. Before removing the existing fitting, **carefully note the position of each set of wires.**

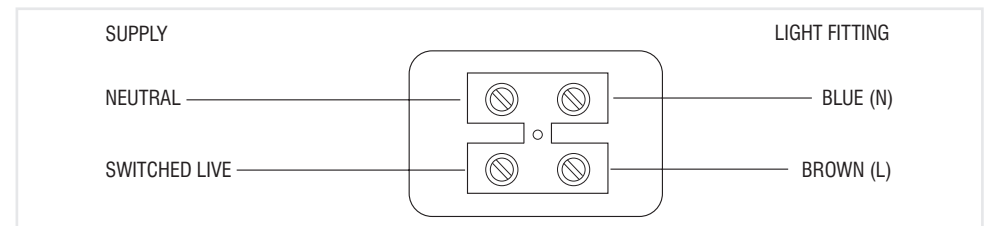
- Remove the fixing strap from the product by removing the screws either side - using the supplied allen key.
- Ensure the wall is capable of holding the weight of the product. Take care to avoid damaging any concealed wiring and pipes. The correct fixings should be used for brick, cavity walls or plasterboard.
- Using the plugs and screws provided in the fixing pack, secure the fixing strap to the wall.
- Wire as detailed below



## Wiring

This product is double insulated and must not be earthed. If there are any incoming earth cables, they must be joined together and well insulated with good quality insulation tape. This is to ensure earth continuity throughout your property.

Having correctly identified the wiring from your existing light fitting and connect to the connection block inside the product in the following way:



## Check that...

- You have correctly identified the wires.
- The connections are tight.
- No loose strands have been left out of the connection block.